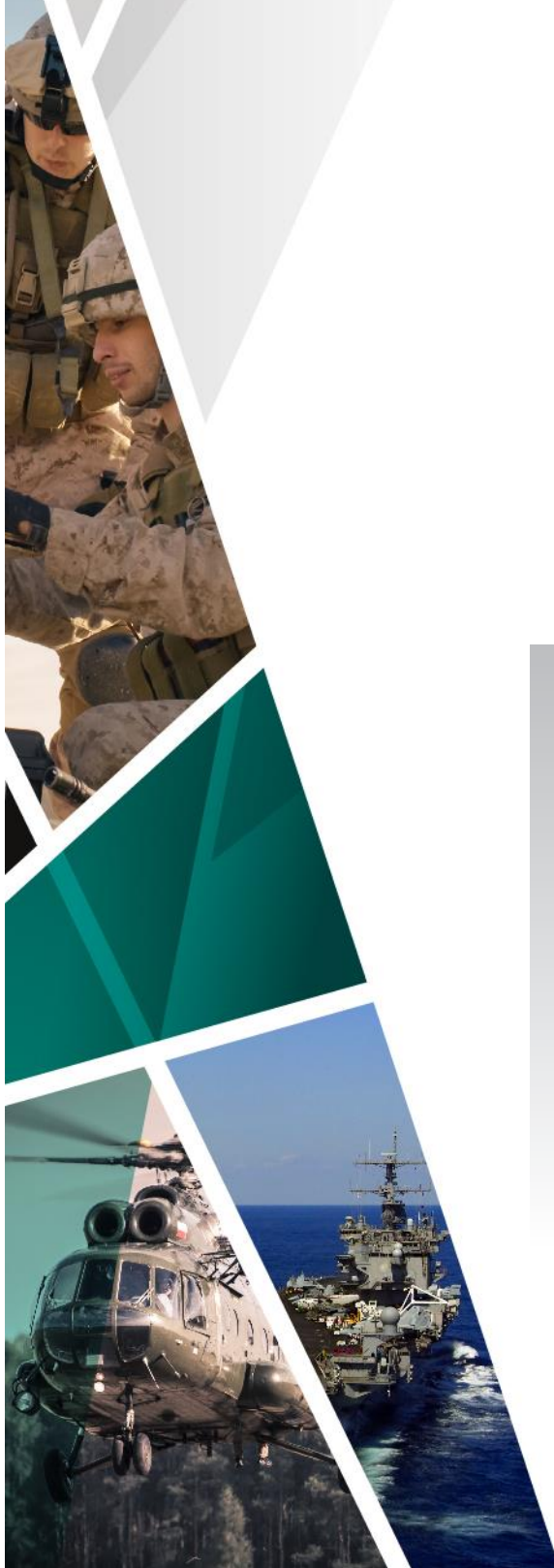
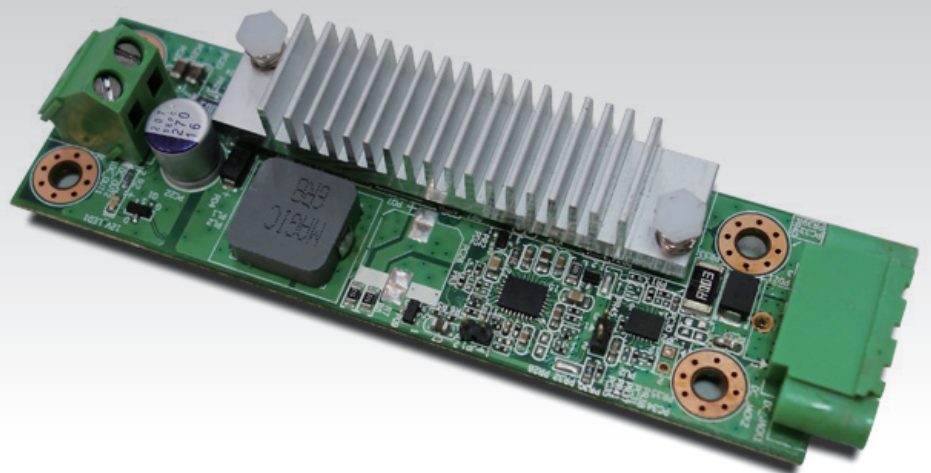




SK701

DC to DC Power Board
User's Manual



Safety information

Electrical safety

- To prevent electrical shock hazard, disconnect the power cable from the electrical outlet before relocating the system.
- When adding or removing devices to or from the system, ensure that the power cables for the devices are unplugged before the signal cables are connected. If possible, disconnect all power cables from the existing system before you add a device.
- Before connecting or removing signal cables from the motherboard, ensure that all power cables are unplugged.
- Seek professional assistance before using an adapter or extension cord. These devices could interrupt the grounding circuit.
- Make sure that your power supply is set to the correct voltage in your area.
- If you are not sure about the voltage of the electrical outlet you are using, contact your local power company.
- If the power supply is broken, do not try to fix it by yourself. Contact a qualified service technician or your local distributor.

Operation safety

- Before installing the motherboard and adding devices on it, carefully read all the manuals that came with the package.
- Before using the product, make sure all cables are correctly connected and the power cables are not damaged. If you detect any damage, contact your dealer immediately.
- To avoid short circuits, keep paper clips, screws, and staples away from connectors, slots, sockets and circuitry.
- Avoid dust, humidity, and temperature extremes. Do not place the product in any area where it may become wet.
- Place the product on a stable surface.
- If you encounter any technical problems with the product, contact your local distributor

Statement

- All rights reserved. No part of this publication may be reproduced in any form or by any means, without prior written permission from the publisher.
- All trademarks are the properties of the respective owners.
- All product specifications are subject to change without prior notice

Revision History

Revision	Date (dd.mm.yyyy)	Changes
Version 1.0	20.03.2015	Initial release

Packing list

- SK701 power board
- 3 pins terminal block
- User's Manual



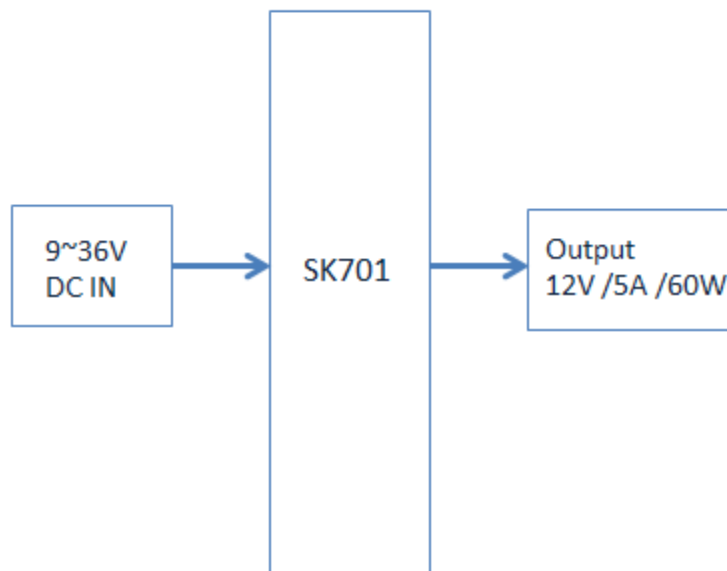
If any of the above items is damaged or missing, please contact your local distributor.

Table of content

- SAFETY INFORMATION 1**
 - ELECTRICAL SAFETY 1
 - OPERATION SAFETY 1
- STATEMENT 1**
- REVISION HISTORY 2**
- PACKING LIST 2**
- TABLE OF CONTENT 3**
- CHAPTER 1: PRODUCT INFORMATION 4**
 - 1.1 BLOCK DIAGRAM 4
 - 1.2 KEY FEATURES 5
 - 1.3 BOARD PLACEMENT 5
 - 1.4 ONBOARD CONNECTOR LIST 5
 - 1.5 MECHANICAL DRAWINGS 6
- CHAPTER 2: ONBOARD CONNECTOR PIN ASSIGNMENT 7**

Chapter 1: Product Information

1.1 Block Diagram



1.2 Key Features

Specification	
Input Voltage	9V to 36V
Output Voltage	12V @ 5A, 60W
Performance Characteristic	Ripple: <300m Line Regulation: <100 mV Load Regulation: <100 mV Efficiency: Min. 92%
Operation Temperature	-20 to 70°C
Dimension	100(W) x 30(L) mm

1.3 Board Placement

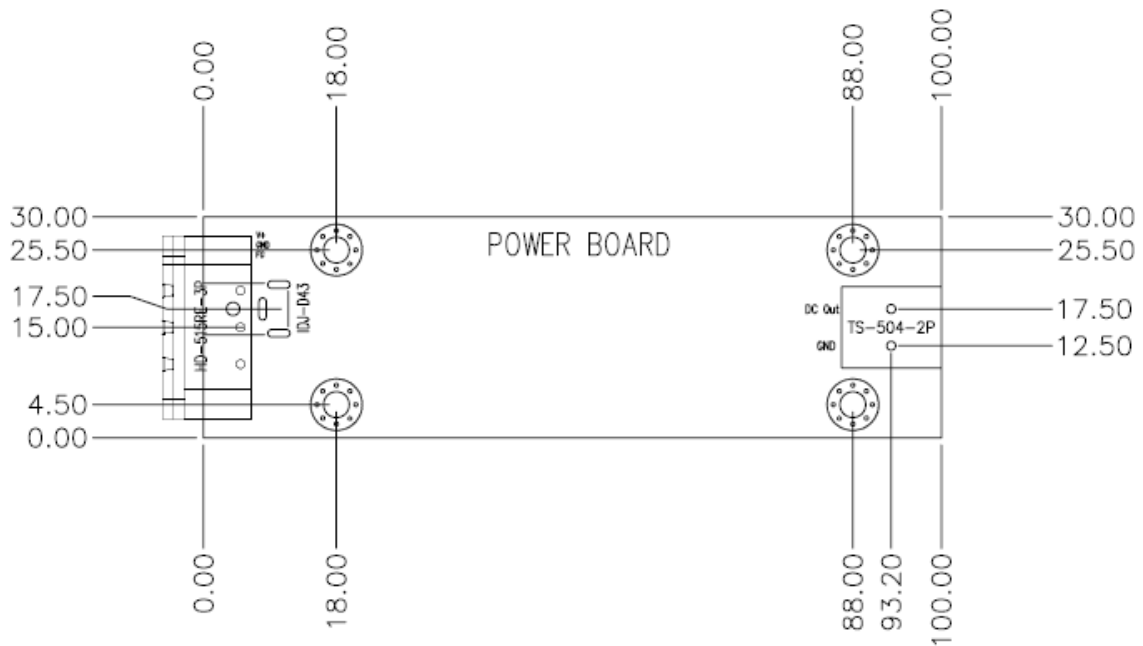


1.4 Onboard Connector List

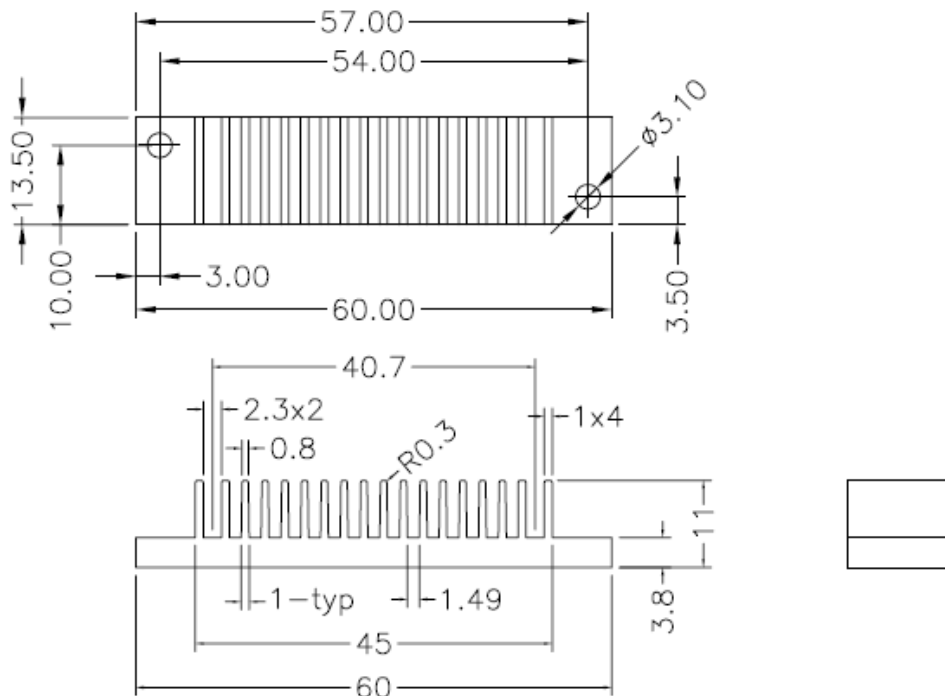
Label	Function
DC_JACK1	Power output connector
DC_OUT2	Power Input connector

1.5 Mechanical Drawings

PCBA Dimension



Thermal heat sink dimension



Chapter 2: Onboard Connector Pin Assignment



► Input/Output Connector

Voltage Input

Pin Number	Assignment
1	GND
2	9V to 36V DC-in
3	GND

Voltage Output

Pin Number	Assignment
1	12V
2	GND