



INS8335A

INTEL® IVY BRIDGE QM77 MINI-ITX
INDUSTRIAL MB WITH CORE™ I7/
I5/I3 PROCESSOR, 9V TO 24V DC-IN,
WIDE TEMP. -40 TO 85°C



MAIN FEATURES

- Intel® Ivy Bridge CPU + Intel QM77 PCH
- Multi display: VGA, DVI, LVDS, HDMI
- Rich I/O interface with 6 COM, 8 USB, 2 LAN, 4 SATA
- (2 SATAIII, 2 SATAII) and HD Audio
- Flexible expansion with 1 x miniPCIe, 1 x PCIe and 1 x PCI
- 8-bit DIO (4 in/4 out)
- 2 x RJ45 for Ethernet connection
- 9 – 24V wide voltage DC-in design
- Extended operating temperature. -40°C to 85°C

Specifications

System

CPU Type	Intel® 22nm Ivy Bridge Processor (Mobile) socket (rPGA988) Core™ i7-3610QE 2.3 GHz (6M Cache, 45W) Core™ i5-3610ME 2.7 GHz (3M Cache, 35W) Core™ i3-3120ME 2.4 GHz (3M Cache, 35W)
Chipset	Intel® QM77
Memory Type	2 x 204-pin SO-DIMM support up to 16 GB dual channel DDR3 1333/1600, Non-ECC
BIOS	AMI® UEFI BIOS
Super I/O	F81866D-I
Watchdog	1-255 sec. or 1-255 min. software programmable, can generate system reset
Expansion Slot	1 x PCIe x1 1 x Mini PCIe 1 x PCI

Display

Chipset	Integrated GFX in Ivy Bridge processor
Onboard VGA	Yes, Max: SXGA 2048 x 1536 @ 60 Hz
LVDS	Dual channel 24-bit LVDS, Max. 1920 x 1200
Onboard DVI-D	Yes, (Max. resolution 1920 x 1200)
Onboard HDMI	Yes, (Max. resolution 1920 x 1200)
Independent Display Capability	VGA, LVDS, DVI, HDMI

Audio

Codec	Realtek ALC892 High Definition Audio Codec
-------	--

Ethernet

Chipset	Intel® 82579LM & 82574IT GbE
WOL	Yes
Boot from LAN	Yes for PXE

Rear I/O

VGA	1
DVI-D	1
HDMI	1
Ethernet	2 x RJ45
USB	4 x USB 3.0
Audio	Mic-in, Line-in, Line-out
COM Port	1x RS232/422/485 with 5V/12V selectable
DC Jack	1

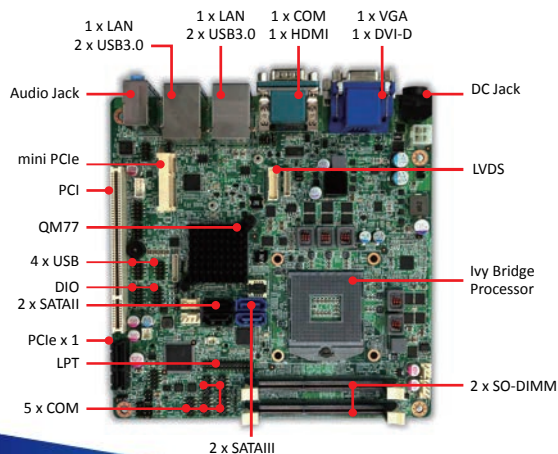
I/O Interface

SATA	2 x SATAIII (6 Gb/s), 2 x SATAII (3 Gb/s)
CF-SATA	1
LVDS	30-pin connector
USB	4 x USB 2.0 ports by pin header
COM	5 x COM ports <ul style="list-style-type: none"> • COM2~3 ports RS232 with 5V/12V selectable by pin header • COM4 port supports RS232 by pin header • COM5~6 ports RS232/422/485 by pin header
DIO	16-bit (8 in/8 out)
PS/2	1 x pin-header for PS/2 keyboard and mouse
Fan	1 x CPU fan, 1 x System fan
Parallel Port	2 x 13-pin header

Mechanical and Environment

Form Factor	Mini-ITX
Power Type	9V to 24V DC-in
Dimension	170 x 170 mm (6.7" x 6.7")
Operating Temp.	-40 to 85°C
Relative Humidity	10% to 90%, non-condensing

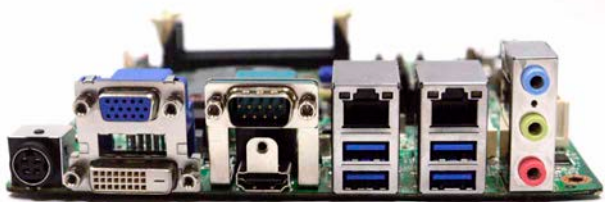
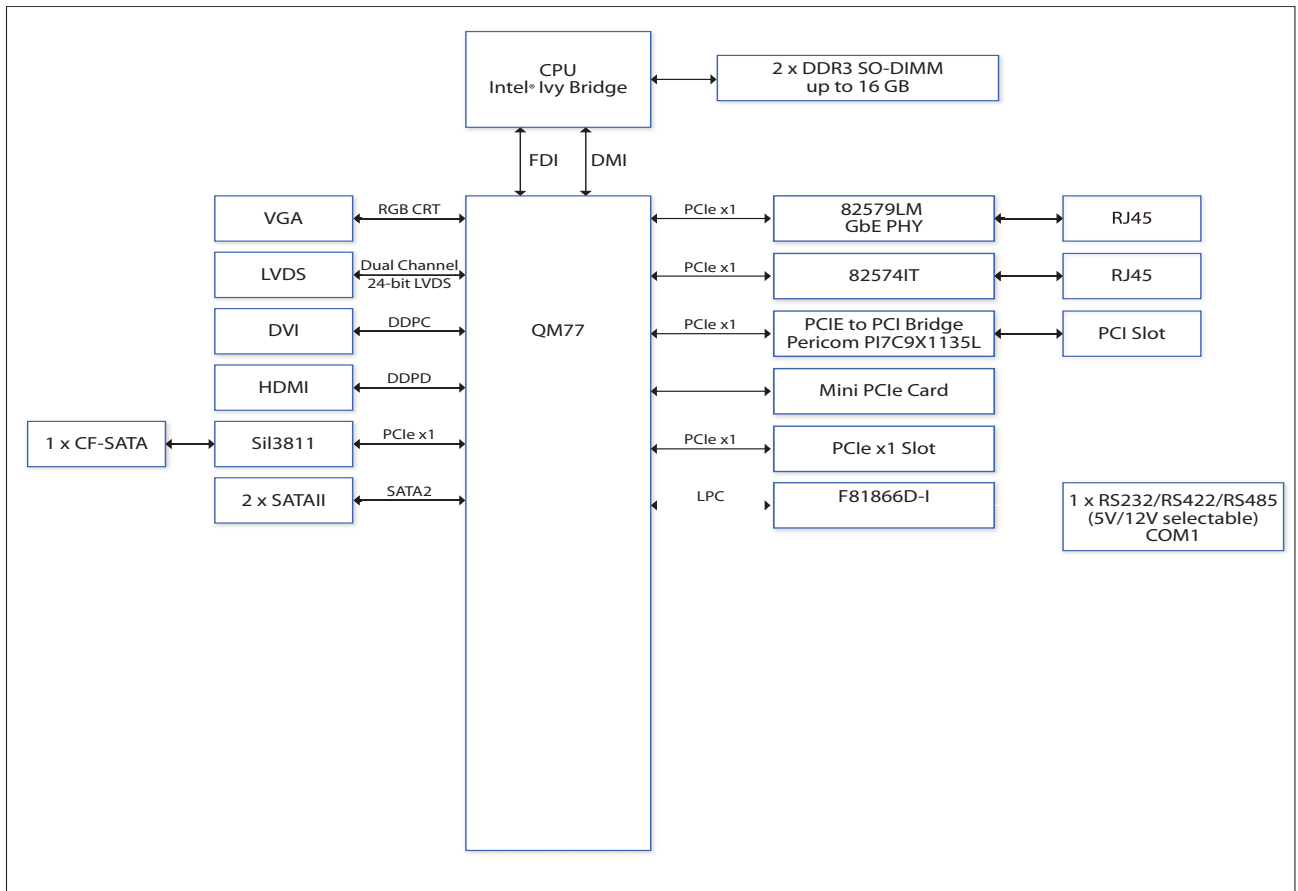
*All specifications and photos are subject to change without notice.



Ordering Information

Model Number	Description
INS8335A-ET	Mini-ITX Industrial MB Intel® 22nm Ivy Bridge Processor (Mobile) (-20 to 70°C)
INS8335A-UT	Mini-ITX Industrial MB Intel® 22nm Ivy Bridge Processor (Mobile) (-40 to 85°C optional)
OC0181118306C00L	Intel® i7-3610QE (45W)
OC0181115901C00L	Intel® i5-3610ME (35W)
OC0181117902C00L	Intel® i3-3120ME (35W)
OC0181117700C00L	Intel® Celeron 1020E (35W)

Block Diagram



► Packing List

- INS8335A Mini-ITX Industrial MB
- I/O shield
- 1 x SATA cable
- 1 x SATA Power cable
- 2 x COM ports cable w/o bracket
- 1 x USB cable
- CD (Driver + user's manual)

► Optional Accessories

Cable Kit

LPT Cable

Thermal Kit

CPU cooler

CF-SATA Card

Innodisk CF-SATA Series