



# SK506

**PCIe/104(STACKPC FPE MODULE) EXPAND 4  
EXTRA 10/100/1000 MBPS GIGABIT ETHERNET**



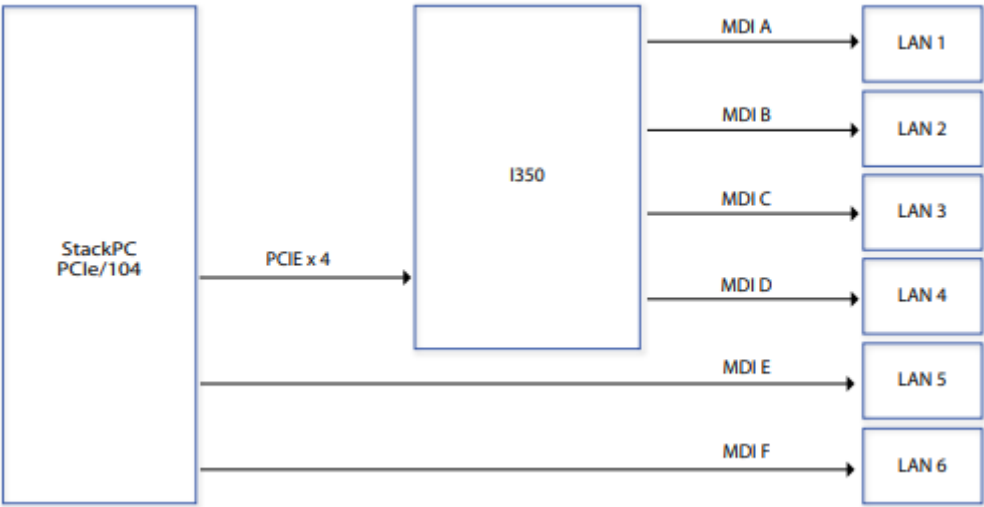
- StackPC-FPE form factor
- PCIe/104 stackable bus structure
- Reliable Ethernet technology from Intel i350-AM4 controllers
- total 6 independent LAN connections (2 from host board, 4 from Intel controllers)
- Flexible options for Ethernets through RJ45 or 10 pin-headers
- High-performing bridgeless design supporting PCI Express Gen 2.1 5GT/s
- Extended temperature -40 to 85°C

# Specifications



## SYSTEM

Function	Total 6 x 10/100/100 mbps Ethernet connections
Network controller	Intel i350-AM4 network controller *Max TDP 4W *EEE802.3/10BASE-T, 100BASE-TX, 1000BASE-T *Interrupt levels: INTA, INTB, INTC, INTD, MSI, MSI-X *Supports Jumbo Frames *Supports IEEE1588 *Supports Intel Data Direct I/O Technology *Innovative power management features including Energy Efficient Ethernet (EEE) and DDMA Coalescing for increased efficiency and reduced power consumption
Host Interface	PCIe x4 Interface to CPU through PCIe/104 bus StackPC compliant with PCIe/104 Type1 and Type2 buses
Physical connectors	4 independent LAN connections (from Intel i350-AM4) plus 2 independent LAN interface (from CPU host board) Type R: 6 x RJ45 jacks (10/100/1000 Mbps) Type P: 6 x FCI connectors (5 x 2 pin, 10/100/1000 Mbps)
Special Features	Intel Virtualization Technology for connectivity *Supports on-chip QoS and Traffic management *Supports Virtual Device Queues (VMDq) *Supports PCI-SIG* SR-IOV capable
Operating Temperature	Extended Temperature -40 to 85°C
Dimension	95 x 90 mm

# Block Diagram



# Ordering Information

SK506-P	SK506-R
	
<p>6 x FCI connectors (5 x 2 pin) Gigabit Ethernet controller, Extended temp. -40°C to 85°C</p>	<p>6 x RJ45 jacks, Extended temp. -40°C to 85°C</p>