

4525

60,000

21,000,000

4,654,520	8,078,511
8,901,705	4,346,501
6,805,210	6,688,570



PER301A

INTEL 6TH GEN. KABYLAKE®
CORE™ I7-6600U PROCESSOR
FANLESS SYSTEM



- MIL-STD 810 Compliance
- 6th Gen. Intel® Core™ i7-6600U Processor
- 2 x DDR4 SO-DIMM up to 32GB RAM
- 4 x Intel® Gigabit Ethernet
- 6 x USB, 1 x COM port
- 2 x CANBus port (optional)
- 9V to 36V DC-in
- Extended Temperature -40~+60°C

Specifications

SYSTEM

CPU	Intel® 6 th Gen. Core™ i7-6600U (Frequency 2.6GHz, Turbo Boost up to 3.40GHz), Dual-Core, 4 Thread Support, 4MB SmartCache
Memory type	2 x DDR4 SO-DIMM up to 32GB
Chipset	Intel® Processor Integrated

STORAGE

2.5" HDD/SSD	1 x 2.5" Easy swap HDD/SSD Tray
--------------	---------------------------------

ETHERNET

Ethernet	2 x Intel Gigabit Ethernet LAN 4 x Intel Gigabit Ethernet LAN (Optional)
----------	---

REAR I/O

DisplayPort	2 x DisplayPort
Ethernet	2 x RJ45 Gigabit Ethernet LAN 4 x Intel Gigabit Ethernet LAN (Optional)
Serial Port	1 x RS232
CAN Bus	2 x DB9 connector (Optional)
USB port	4 x USB3.0 standard-A connectors
DC-IN	4P Rugged Terminal connector
Antenna Hole	2 x SMA antenna hole

FRONT I/O

Power Button	1
Power LED	1
HDD LED	1
USB Port	2 x USB2.0

APPLICATION

Application	Commercial and Military Platforms Requiring Compliance to MIL-STD-810 Embedded Computing, Process Control, Intelligent Automation and manufacturing applications where Harsh Temperature, Shock, Vibration, Altitude, Dust and EMI Conditions. Used in all aspects of the military.
Operating System	Windows 10 Ubuntu 14.04, Ubuntu 16.04, Fedora 24

PHYSICAL

Dimension (WxDxH)	200 x 136.4 x 85.3mm
Weight	TBC
Chassis	Aluminum Alloy, Corrosion Resistant
Finish	Anodic aluminum oxide (Color Iron Gray)
Cooling	Natural Passive Convection/Conduction. No moving Parts
Operating Temp.	-20 ~ +60°C (Optional : -40 ~ +70°C)
Storage Temp	-40 ~ +85°C

ENVIRONMENTAL

MIL-STD-810 Test	Method 507.5, Procedure II (Temperature & Humidity) Method 501.5, Procedure I (Storage/High Temperature) Method 501.5, Procedure II (Operation/High Temperature) Method 502.5, Procedure I (Storage/Low Temperature) Method 502.5, Procedure II (Operation/Low Temperature) Method 503.5, Procedure I (Temperature Shock)
Reliability	No Moving Parts Passive Cooling
EMC	CE and FCC compliance
Green Product	RoHS, WEEE compliance

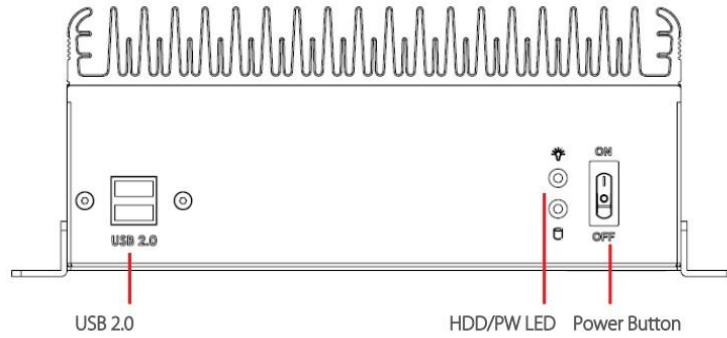
Ordering Information

PER361

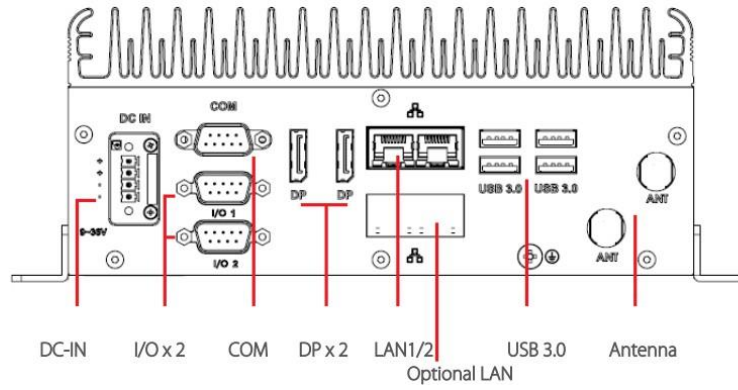
MIL-STD-810 Rugged Computer with Intel® 6th Gen. Core™ i7-6600U, 4 x Intel GbE, 2 x DisplayPort, 1 x COM, 6 x USB, 9V to 36V DC-in, Extended Temp. -40 to 60°C

Appearance

Front I/O



Rear I/O



Dimensions

