



ROC300-TA45

3U GPGPU SHORT DEPTH EDGE
COMPUTER SERVER



- Intel® Xeon Silver Ice Lake 4310 12 Cores 2.1/3.3 GHz, 120W, 18MB cache
- Dual Nvidia MXM RTX A4500 5888 CUDA cores PCIe Gen 4.0 x16
- Two Ethernet LAN ports (LAN1, LAN2) and a dedicated IPMI LAN
- 4x NVMe M.2 (Gen4 x4)
- Equipped with latest tool less design, storage, HDD trays, system fans and PCIe riser brackets for easy upgrades and maintenance.
- Size: 450.0 x 450.0 x 131.0 mm.
- 4x 80mm Fan, 11000RPM
- Redundant 2U 1600W 1+1 CRPS

Specifications

SYSTEM

CPU	Intel Xeon Silver Ice Lake 4310, 2.1/3.3 GHz, 12C, 18M Cache, TDP 120W
Memory type	4x 64GB RDIMM DDR4 3200 MHz, up to 1TB/2TB/4TB RDIMM/LRDIMM/3DS RDIMM, 3DS LRDIMM
Chipset	C621A

DISPLAY

Display Port	1x VGA (AST2500)
GPU	2x NVIDIA RTX™ A4500 MXM

STORAGE

M.2	2x M.2 2TB NVMe
-----	-----------------

ETHERNET

Ethernet	Intel® I210 GbE LAN (10/100/1000 Mbps supported)
Ethernet	Aquantia AQC113 for 1x 10GbE LAN port

FRONT I/O

Indicator	1x Power Status; 2x LAN activity, 1x UID, 1x HDD Status; 1x System Alarm
Front Panell	1x Power On/Off; 1x System Reset; 1x UID; 1x USB3.0
Drive Bay	6x SAS/SATA Hot-swap tray
Cooling Fan	4x 80mm, 11000RPM, hot-swappable

REAR I/O

Display Port	1x VGA (AST2500)
Ethernet	1x GbE LAN1 1x 10GbE LAN2
IPMI	1x (AST2500)
Audio	1x Lin/out; 1x Mic in; 1x Center/LFE out; 1x Surround out
USB	4x USB 3.2, 2x USB2.0, 1x Type C (USB3.2)
COM	1x COM
S/PDIF	1x out
AC-IN	2x IEC socket, 1600W, 1+1 CRPS

EXPANSION

PCIe Slot Opening 2x MXM Carrier card, 2x PCIe slot Gen4 x16(x8)

POWER REQUIREMENT

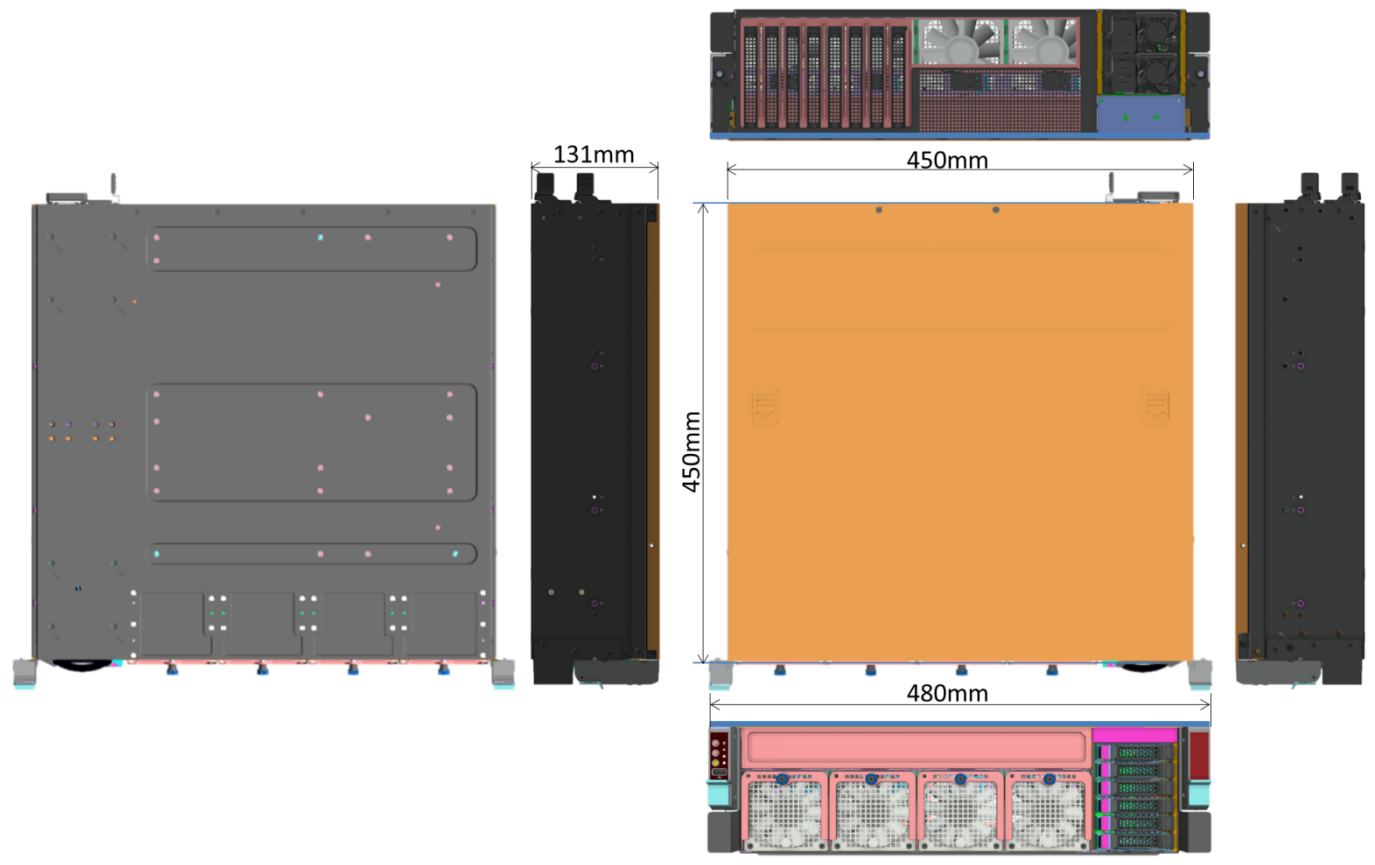
Power Input 100V~240V AC-in

OPERATING SYSTEM

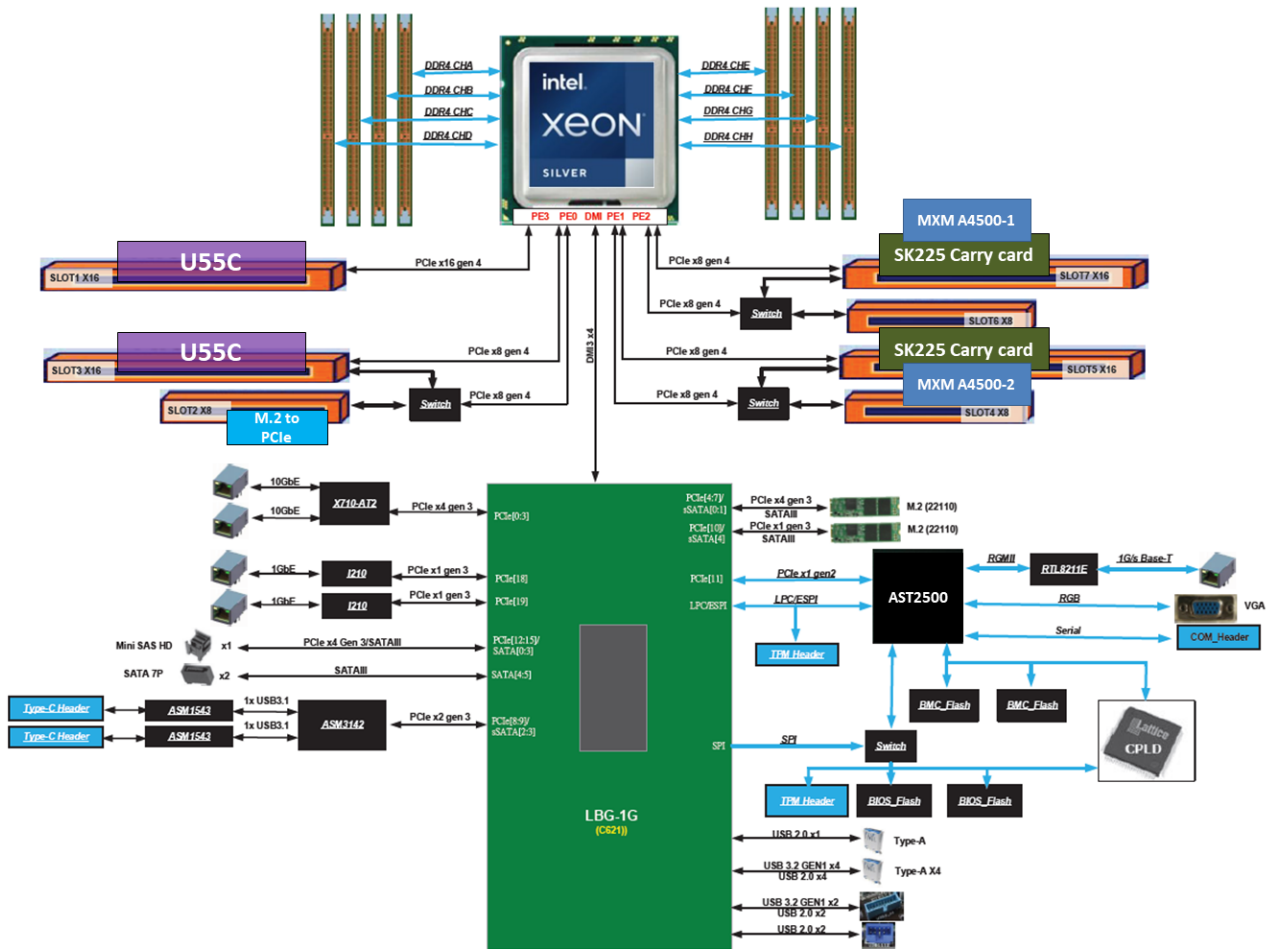
Operating System Windows 10 64Bit ,
Linux by request

Dimension 450 x 450 x 131 mm

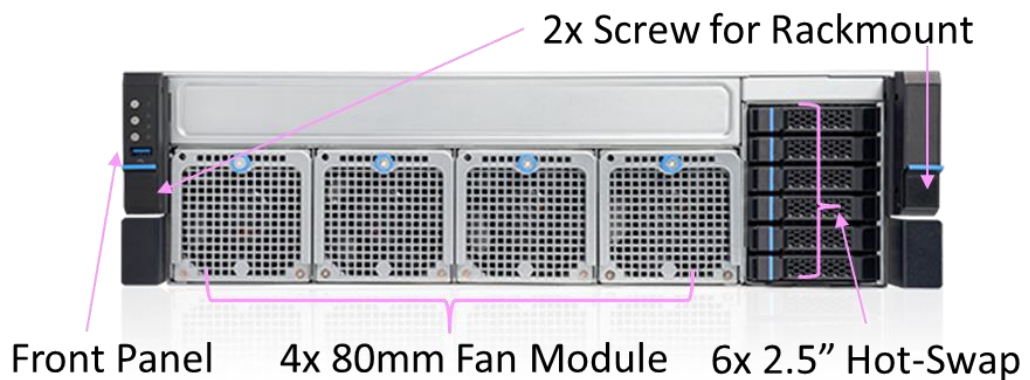
Dimension

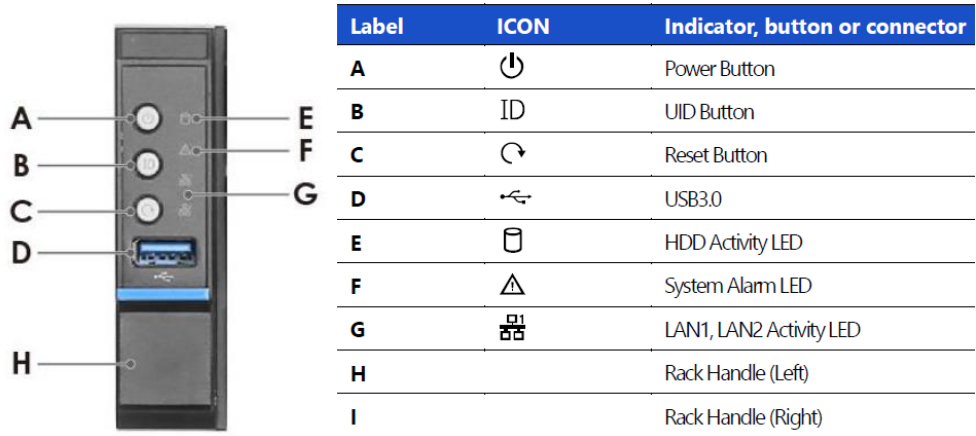


Block Diagram

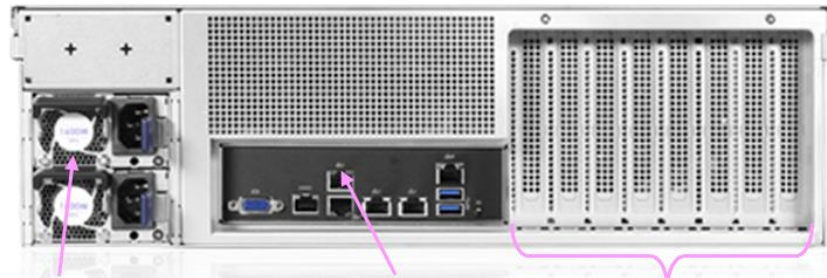


Front I/O

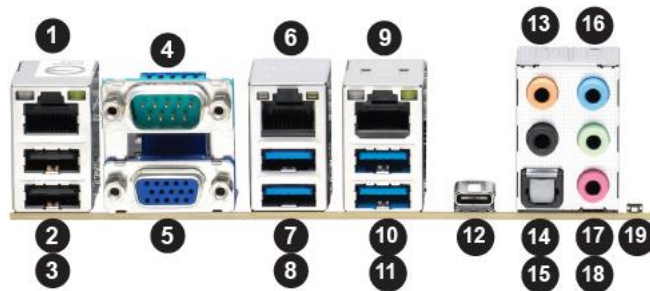




Rear I/O



2U 1+1 CRPS,1600W Rear I/O Panel 8 x Full Height



Rear I/O Ports							
#	Description	#	Description	#	Description	#	Description
1	LAN1 (1Gb)	6	Dedicated IPMI LAN	11	USB6 (3.2 Gen. 1)	16	Line In
2	USB9 (2.0)	7	USB7 (3.2 Gen. 1)	12	USB4 (3.2 Gen. 2x2)	17	Line Out
3	USB10 (2.0)	8	USB8 (3.2 Gen. 1)	13	Center/LFE Out	18	Mic In
4	COM1 Port	9	LAN2 (10Gb)	14	Surround Out	19	UID Switch / BMC Reset Button
5	VGA Port	10	USB5 (3.2 Gen. 1)	15	S/PDIF Out		