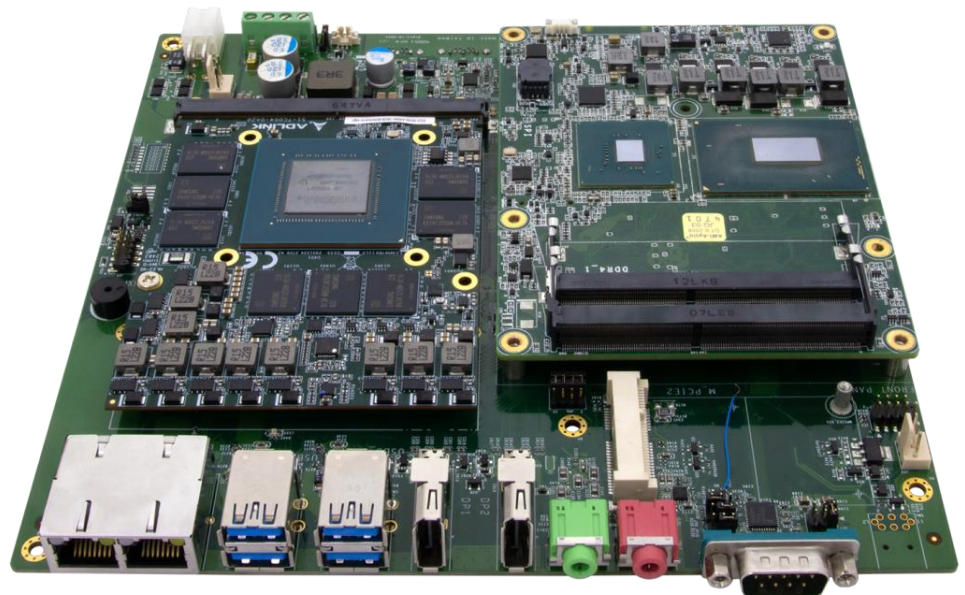




# STAR LAKE SINKS-TOUCH

## COM Express Type 6 Carrier Board



### Key Feature

- COM Express Type 6, Support 9th Coffee Lake-H Processor
- MXM Type 3.1 Support NVIDIA® Quadro® and GeForce® GPUs
- Support MXM RTX 5000 Ada (9728 CUDA, 16GB RAM)
- PCI/104 Express Expansion Slot for Modular Open Structure
- Multi-Expansion Slots include Dual Mini PCIe Express Slots, 1 x M.2 Slot
- 2x DP, 1x LVDS, 4x COM, 6x USB, 2x Mini PCIe, 2x SATA
- Extreme Temperature Support -40 to 85°C
- 9V~36V DC-IN

# Instructions

COM Express, a computer-on-module (COM) form factor, is a highly integrated and compact PC that can be used in a design application much like an integrated circuit component. The COM Express Module integrates core CPU and memory functionality, the common I/O of a PC/AT, USB, Audio, Graphics (PEG), and Ethernet. SK513 feature a range of Intel processors, up to the latest Intel Core series. SK513 are built to operate in harsh environmental conditions, the operating temperatures as low as -40°C to as hot as 85°C. From low power consumption to high performance processing power, SK513 are built to suit a wide range of computing applications from signal processing to unmanned vehicles and more.

## Specifications

### System

COM Express CPU Options(Type 6)	Intel® Xeon® E-2276ME 45W Coffee Lake 9 <sup>th</sup> Gen, 6C , Freq. 2.8 /4.5 GHz, 12MB cache Intel® Xeon® E-2276ML 25W Coffee Lake 9 <sup>th</sup> Gen, 6C , Freq. 2.0 / 4.2 GHz, 12MB cache Intel® Core™ i7-9850HE 45W Coffee Lake 9 <sup>th</sup> Gen, 6C, Freq. 2.7 / 4.4 GHz, 9MB cache Intel® Core™ i7-9850HL 25W Coffee Lake 9 <sup>th</sup> Gen, 6C, Freq. 1.9 / 4.1 GHz, 9MB cache
GPU Module Options	NVIDIA® Ampere RTX A2000, 80W, 8GB GDDR6, 2,560 CUDA Cores NVIDIA® Ampere RTX A4500, 80W/130W, 16GB GDDR6, 5,888 CUDA Cores NVIDIA® Ada Lovelace RTX 3500 Ada, 115W, 12GB GDDR6, 5,120 CUDA Cores NVIDIA® Ada Lovelace RTX 5000 Ada, 115W, 16GB GDDR6, 9,728 CUDA Cores
COM Express Compatibility	COM Express® Type 6

### Expansion

MiniPCIe Expansion	2x Full-size mini PCIe (1 with mSATA supported)
M.2 Expansion	1x 2280 M-key (SATA only)
PCIe/104 Expansion	4x PCIe x1 、 1x PCIe x4 、 5x USB 2.0 、 1x LPC 、 1x SPI
SATAIII	2x SATAIII

### Display

Display Port	2x Display Port outputs from COM Express®
VGA	1x output from COM Express®, 1 x output from GPU
LVDS	1x dual channel 18/24bit LVDS
DVI	1x

## Ethernet

---

Ethernet	2x 10/100/1000 Ethernet Ports
----------	-------------------------------

---

## I/O

---

USB	4x USB 3.0, 2x USB 2.0
-----	------------------------

---

---

COM Port	4x RS232/422/485
----------	------------------

---

---

Audio	1x Line-out, 1x Mic-In
-------	------------------------

---

---

SATA Power	2x SATA
------------	---------

---

---

DI/DO	4x DI/ 4x DO
-------	--------------

---

---

FAN Power	1x CPU FAN + 1x MXM FAN
-----------	-------------------------

---

---

Battery	1x Battery Header
---------	-------------------

---

## Power System

---

Input Power_SYS	9V~36V (4P Terminal Block)
-----------------	----------------------------

---

---

Input Power_MXM	12V (ATX 4P)
-----------------	--------------

---

---

Power Consumption	Varies per COM Express /MXM with different CPU and GPU models
-------------------	---

---

---

RTC Battery	3V CR2032
-------------	-----------

---

## Mechanical and Environment

---

Dimensions	190mm x 185mm
------------	---------------

---

---

Operating Temp.	-40°C to 85°C
-----------------	---------------

---

---

Storage Temp.	-40°C to 85°C
---------------	---------------

---

---

Relative Humidity	10% to 90%, non-condensing
-------------------	----------------------------

---

## Standard Compliance

---

Standard Compliance	CE/FCC
---------------------	--------

---

---

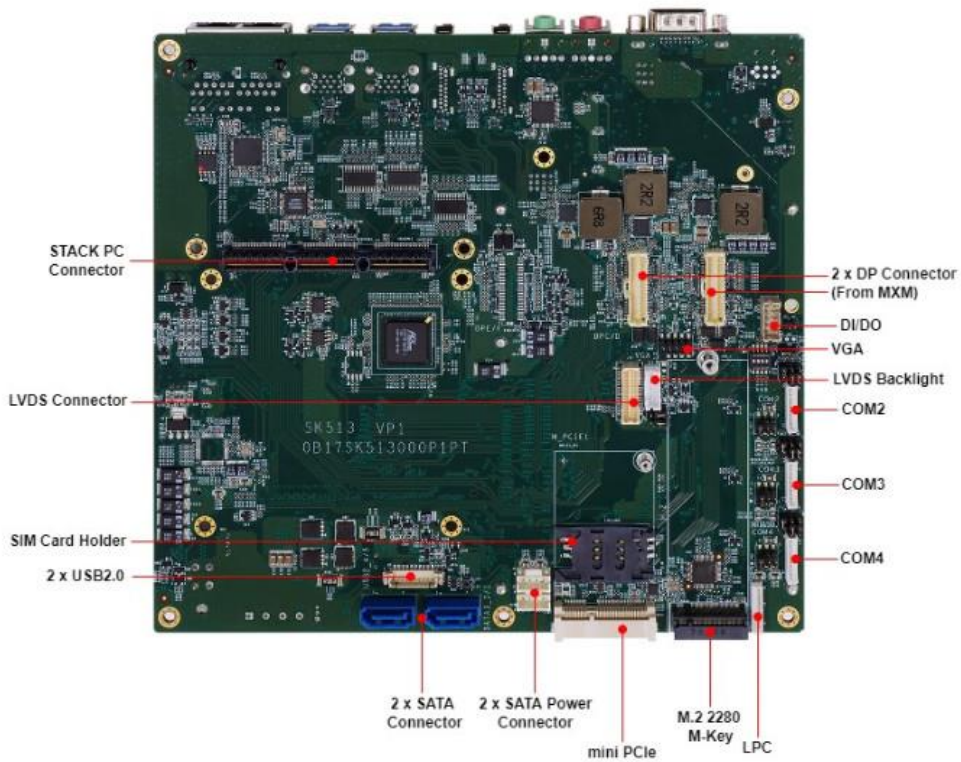
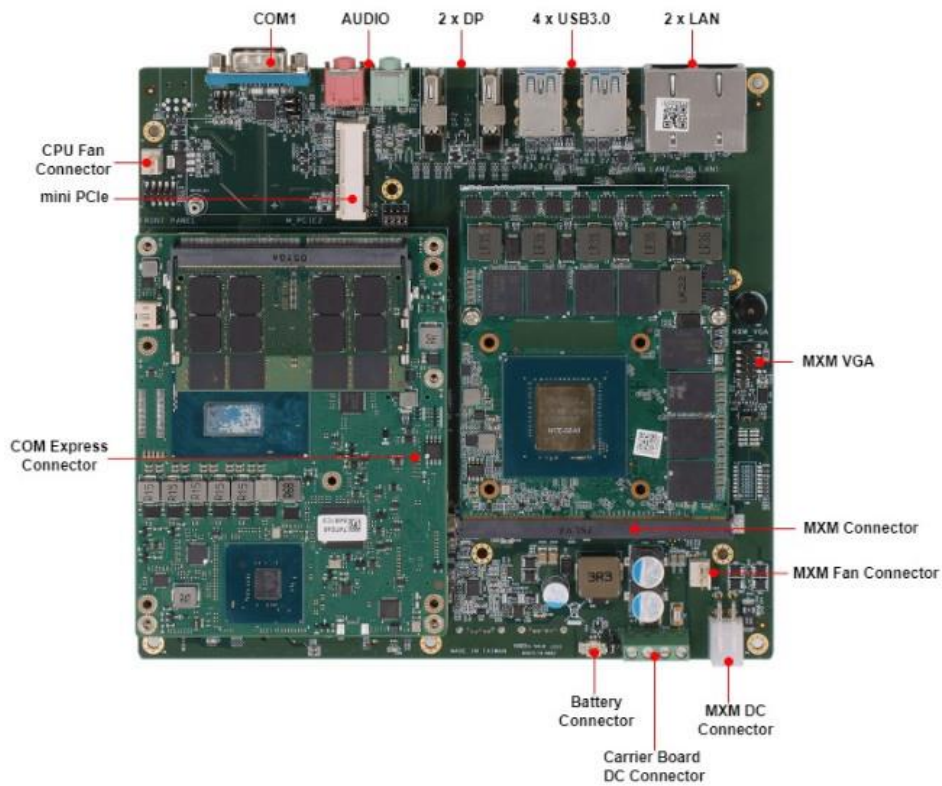
OS Support	Windows®10 64bit, Linux(Support by request)
------------	---

---

\*All specifications and photos are subject to change without notice.

---

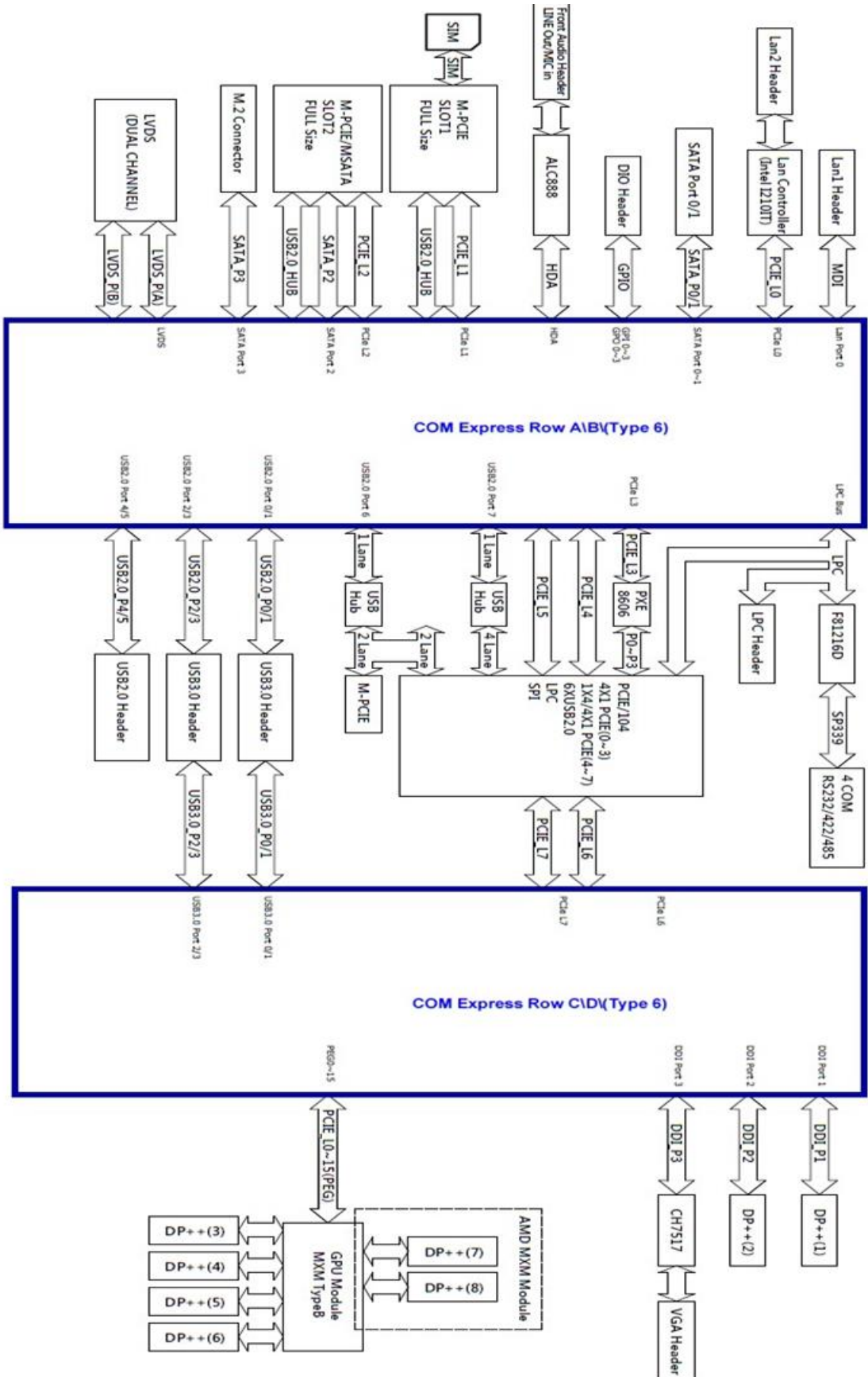
# Carrier Board Placement



# Appearance



# Block Diagram



## Ordering Information

### CPU/GPU Table

All Operating Temperature meet from 0 to 55°C

Could Customize the Operating Temperature from -40 to 70°C

### CPU Products List

CPU(Type6)	SPEC	
Intel® Xeon® E-2276ME	45W	Coffee Lake 9th Gen, 6C, 2.8 / 4.5 GHz, 12MB cache
Intel® Xeon® E-2276ML	25W	Coffee Lake 9th Gen, 6C, 2.0 / 4.2 GHz, 12MB cache
Intel® Core™ i7-9850HE	45W	Coffee Lake 9th Gen, 6C, 2.7 / 4.4 GHz, 9MB cache
Intel® Core™ i7-9850HL	25W	Coffee Lake 9th Gen, 6C, 1.9 / 4.1 GHz, 9MB cache

### GPU Products List

GPU	SPEC	
NVIDIA® Ampere RTX A2000	80W	8GB GDDR6, 2,560 CUDA Cores
NVIDIA® Ampere RTX A4500	80W	16GB GDDR6, 5,888 CUDA Cores
NVIDIA® Ada Lovelace RTX 3500 Ada	115W	12GB GDDR6, 5,120 CUDA Cores
NVIDIA® Ada Lovelace RTX 5000 Ada	115W	16GB GDDR6, 9,728 CUDA Cores

### Model No. List

Gen.	Model Name	Configuration
SK513-T6CH	SK513-2276E-A45	CPU Board: E-2276ME / MXM GPU: Quadro A4500
	SK513-2276L-A20	CPU Board: E-2276ML / MXM GPU: Quadro A2000
	SK513-9850E-A45	CPU Board: i7-9850HE / MXM GPU: Quadro A4500
	SK513-9850L-A20	CPU Board: i7-9850HL / MXM GPU: Quadro A2000