



LAND



SEA



AIR

IV320-RH-K0

IP65 Mission GPU Computer with Intel® 13th Gen. Raptor Lake-H Core

i7-13800HRE Processors / Nvidia A4500 MXM GPU



- Full IP65 sealed enclosure for harsh, wet and dusty environments.
- 8x Channel 3G-SDI Frame Grabber with low latency
- Support Intel® 13th Gen. Raptor Lake-H, Core i7-13800HRE, 14C, 20T, 5.0Ghz
- 2 x DDR5 DIMMs Up to 64GB SO-DIMM 5200MHZ
- Supports NVIDIA® Quadro MXM RTX A4500 (16GB GDDR6, 5888 CUDA)
- Rugged waterproof M12/M20 connectors
- IP65 2 x 2.5" SATA SSD Easy Swap Tray
- Extended Operating Temperature -20°C to +60°C
- Wide range 12V~36V DC-IN
- MIL-STD-810 Anti Vibration, Shock compliance



Specifications

SYSTEM

CPU	Intel® 13th Raptor Lake Core i7-13800HE/HRE, 14C, 20T, 2.5/5.0GHz, 24M Cache, TDP 45W
Memory type	2 x DDR5 DIMMs Up to 64GB SO-DIMM 5200MHz
Chipset	SoC, integrated with CPU
GPU	NVIDIA® Quadro RTX A4500 - (5888 CUDA Cores)

STORAGE

HDD/SSD	Dual Reomable 2.5" SATA Tray
---------	------------------------------

FRONT I/O

X1	1 x GbE with M12 connector
X2	1 x GbE with M12 connector
X3	2 x CAN with M12 connector
X4	2 x COM(RS485) with M12 connector
X5	2 x COM(RS485) with M12 connector
X8	1 x USB3.0 with M20 connector
X9	1 x USB3.0 with M20 connector
X10	1 x Mini DP with waterproof connector
DC-IN	1 x DC-IN 12~36V with M12 connector
HDD LED	1 x HDD LED
Power Button	1 x Power Button w/Indicator LED

REAR I/O

3G-SDI	8 x 3G-SDI with BNC Connector
GND	1 x GND Screw

OPERATING SYSTEM

OS	Windows 10/ 11 64bit Enterprise, Linux by request
----	---

PHYSICAL

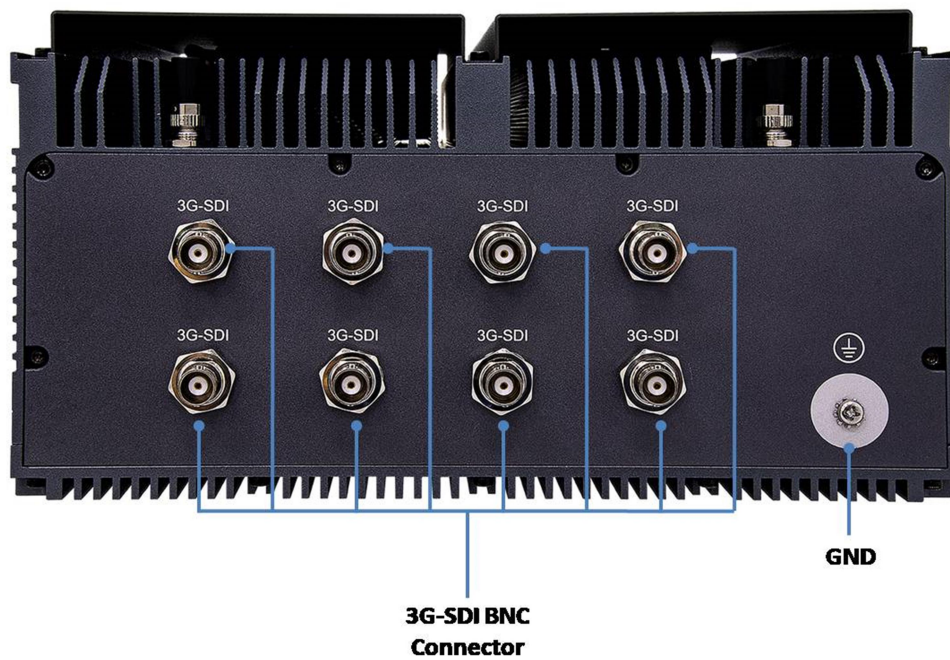
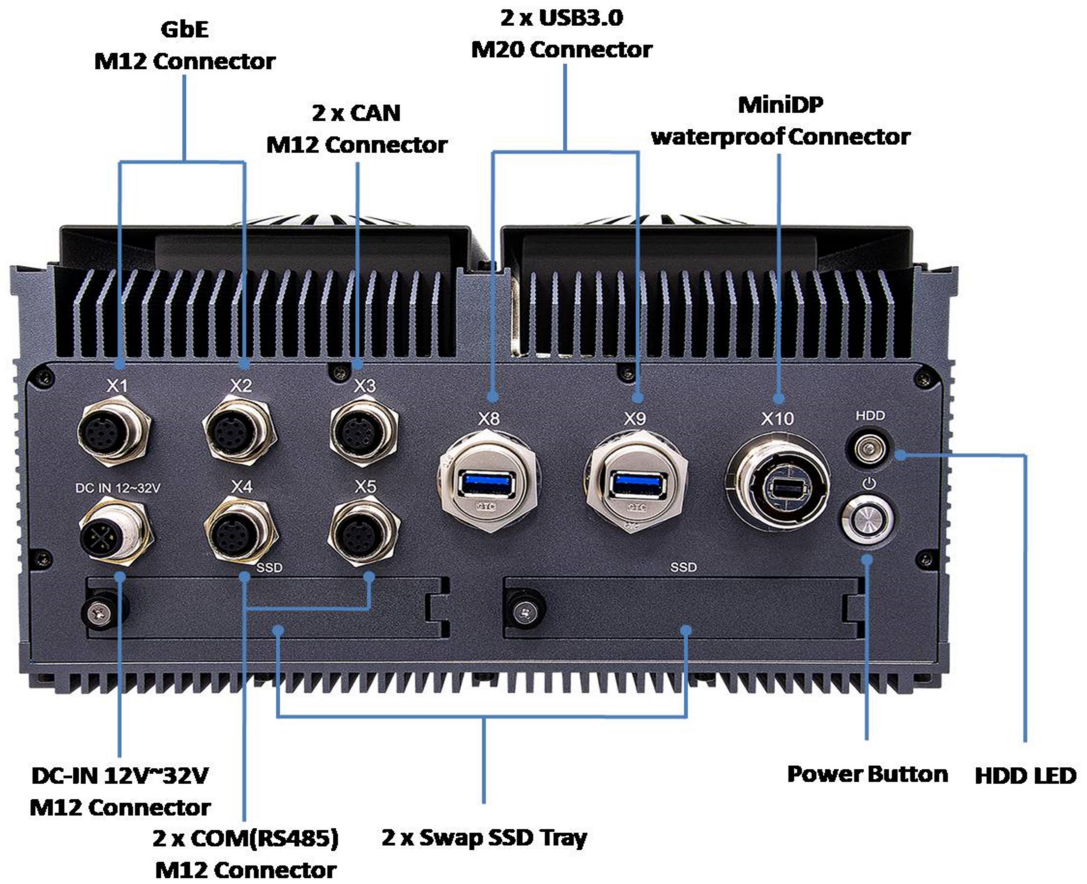
Power Requirement	12V~36V DC-IN
Dimension	250 x 325 x 138 mm (W x D x H)

Ingress Protection	IP65
Operating Temp.	-20°C to 60°C
Storage Temp.	-40°C to 85°C
Relative Humidity	5% to 95%, non-condensing
System Design	Conduction Cooling

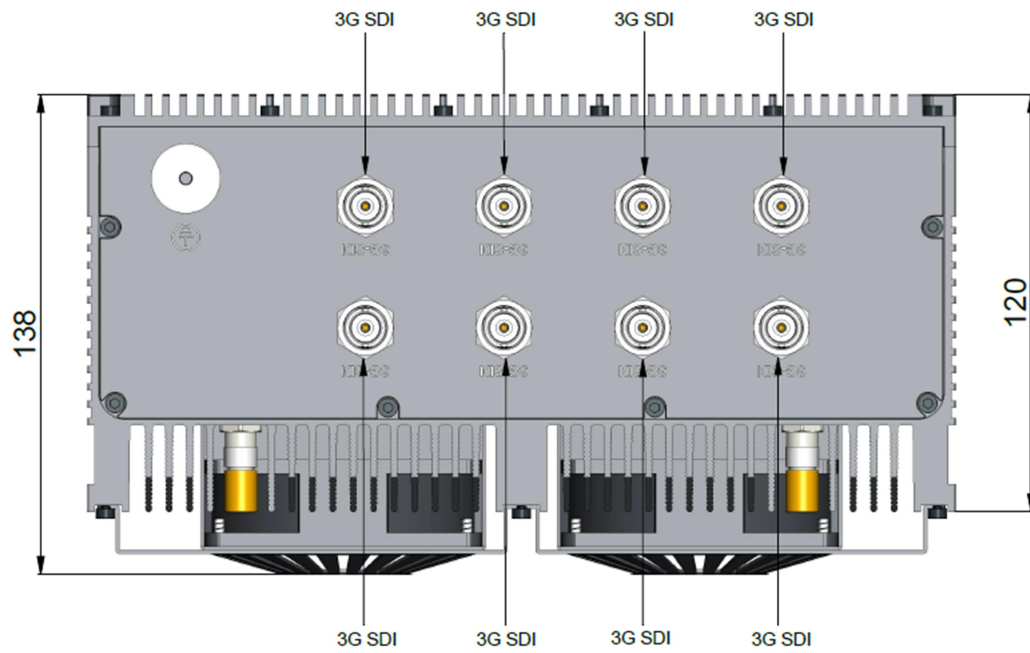
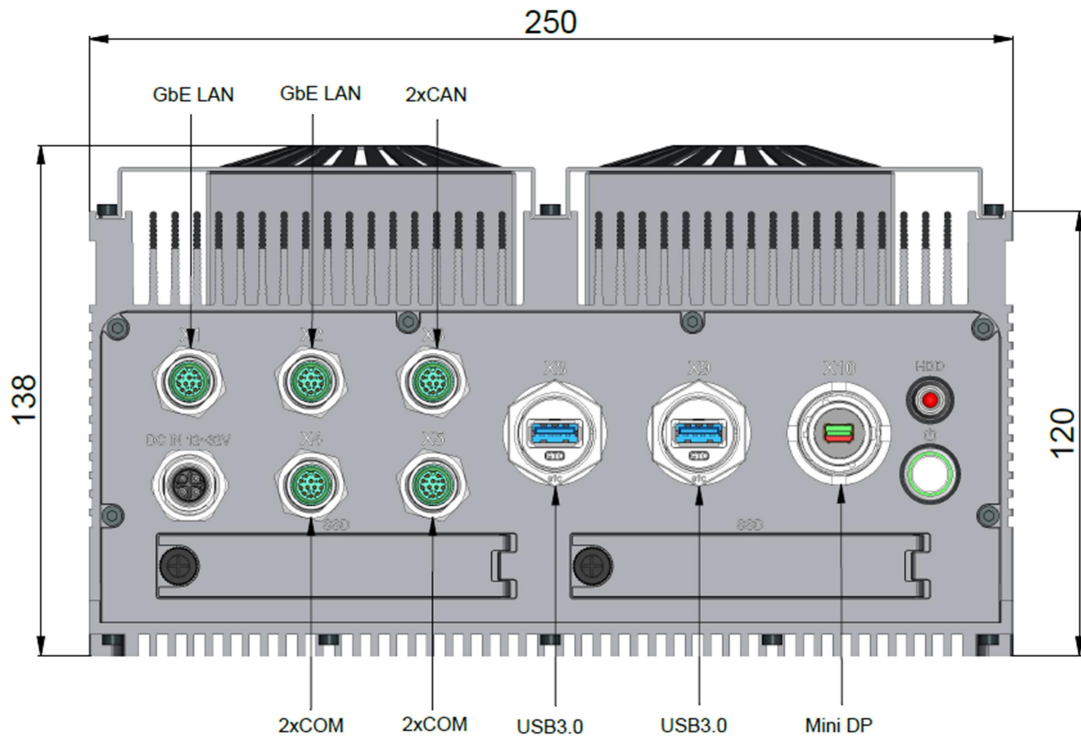
ENVIRONMENT

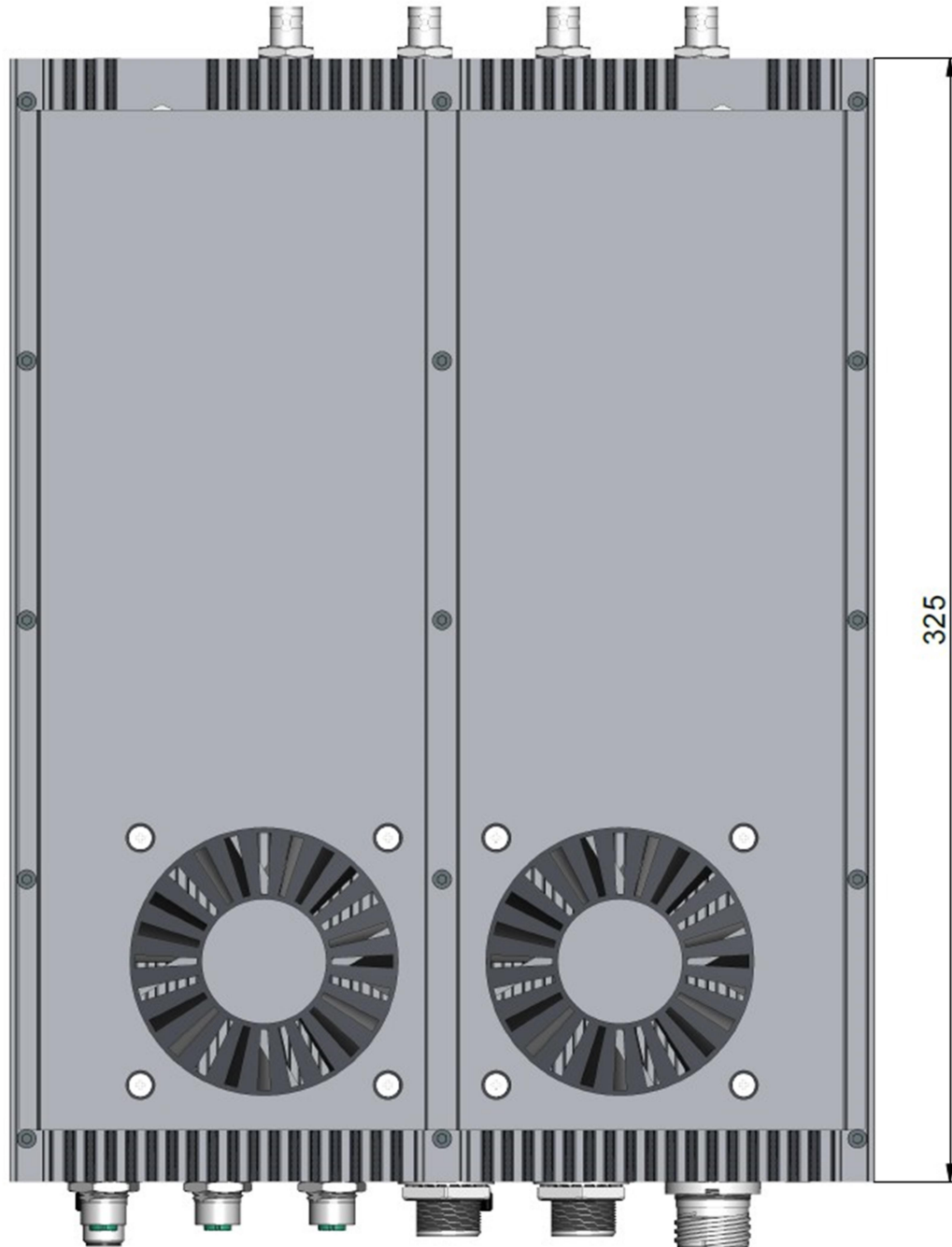
MIL-STD-810 (Compliance)	<p>Method 507.5, Procedure II (Temperature & Humidity)</p> <p>Method 516.6 Shock-Procedure V Non-Operating (Mechanical Shock)</p> <p>Method 516.6 Shock-Procedure I Operating (Mechanical Shock)</p> <p>Method 514.6 Vibration Category 24/Non-Operating (Category 20 & 24, Vibration)</p> <p>Method 514.6 Vibration Category 20/Operating (Category 20 & 24, Vibration)</p> <p>Method 501.5, Procedure I (Storage/High Temperature)</p> <p>Method 501.5, Procedure II (Operation/High Temperature)</p> <p>Method 502.5, Procedure I (Storage/Low Temperature)</p> <p>Method 502.5, Procedure II (Operation/Low Temperature)</p> <p>Method 503.5, Procedure I (Temperature shock)</p>
Reliability	<p>No Moving Parts; Passive Cooling.</p> <p>Designed & Manufactured using ISO 9001 / 2000 Certified Quality Program.</p>
CE/FCC (Compliance)	CE/FCC Compliance

Appearance & Dimension



Dimension





Ordering Information

IV320-RH-KD

IP65 Mission GPU Computer with Intel® 13th Gen. Raptor Lake-H Core i7-13800HRE Processors / Nvidia A4500 MXM GPU, up to 64GB DDR5 SO-DIMM 5200MHz, 2 x LAN / 2 x CAN / 4 x COM(RS485) / 2 x USB3.0 / 1 x Mini DP with M12/M20 connector, 8CH 3G-SDI with BNC connector, 12~36V DC-IN, operation temperature -20~60°C