



SK715

400W DC/DC Converter Module with 9V to 36V Input
/ 12V Output, Extended Temp. -40 to 85°C



MAIN FEATURES

- Wide Input Range: 9V to 36V DC
- 12V DC Output up to 33 Amp
- Over voltage protection
- Over current protection
- High efficiency (typ. 91%)
- Extended Temperature -40°C to 85 °C

Specifications

Input Voltage	Input Voltage 9V to 36V (2P Terminal block)
Output	Output 400W, 12V(2 x 2P Terminal block)
Power Efficiency	91%
Reverse Voltage Protect	Yes
Operation Temperature	-40 to 85°C
Storage Temperature	-40 to 85°C
Dimension	106.5(L) x 67(W) x 27(H)mm
Over-voltage Protection	Yes
Over-Current Protection	Yes
Reverse Polarity	Yes
Over Temperature Shutdown	Yes
Setup, Rise Time	500ms, 60ms
Power On LED	Yes

Certification

CE/FCC compliant

EN 61000-4-2: Air discharge: 8 kV, Contact discharge: 6kV

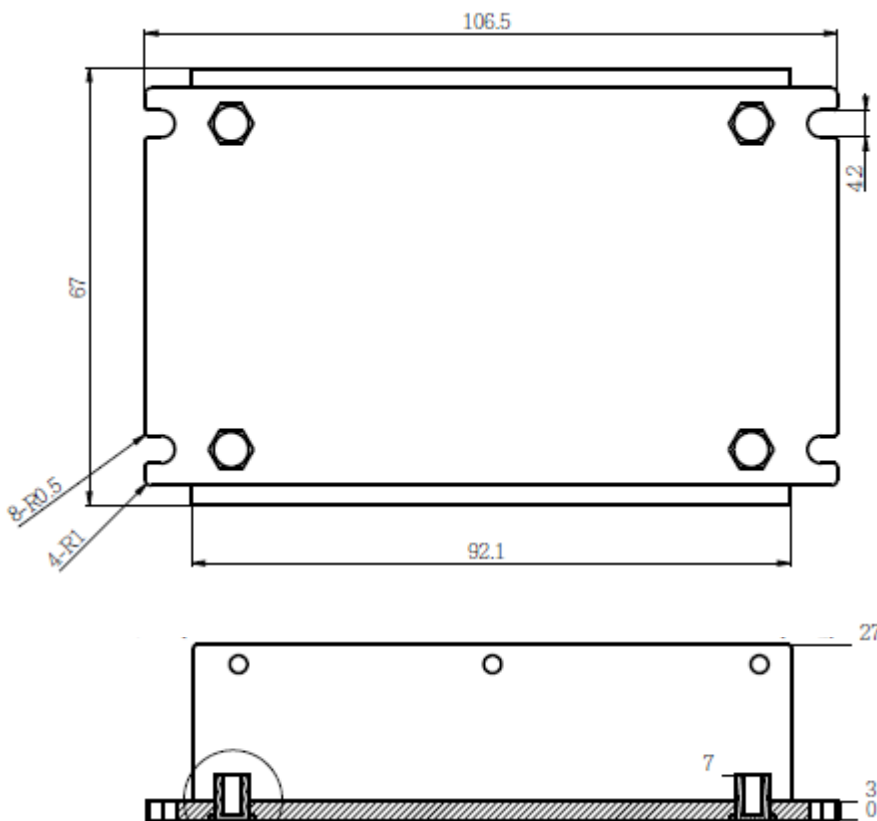
EN 61000-4-4: Signal and DC-Net: 1 kV

EN 61000-4-5: Leads vs. ground potential 1kV, Signal und DC-Net: 0.5 kV

EN 55022, class A

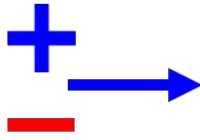
EN 61000-4-3: 10V/m

Dimension

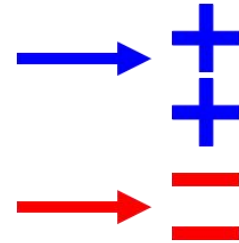


Pin Define:

Power Input
9V~36V



Power Output
12Vdc_33A ; 400W



Ordering Information

SK715 400W DC/DC Converter Module with Input 9V to 36V , Output 12V, operation temperature -40°C ~ 85°C