



LAND



SEA



AIR



# THOR11-027-HSC

## MILITARY VIRTUALISATION SUPER COMPUTER SERVER



- Intel® Xeon® Ice Lake-D D-2796NT, 20 Cores 2.0 GHz Processor
- DDR4 up to 512GB ECC RDIMM
- OS- 1x M.2 NVMe (Up to 8TB)
- Data - 2x SATA SSD (Up to 32TB)
- Expansions : 1 PCIe 4.0 x16 FHFL Slot or 1 PCIe 4.0 x16 HHHL slot
- 100~264 VAC 800W Redundancy PSU
- NIC: Dual 25GbE SFP, Dual 10Gbase-T, Quad 1Gbase-T
- Extreme Temperature Support -20°C to +60°C
- Vibration MIL-STD-810G, Method 514.7, Shock MIL-STD-810G, Method 516.7

# SYSTEM SPEC

## SYSTEM

CPU	Intel ICELAKE-D HCC D-2796NT, 20Cores 2.0 GHz Processor up to 120W
Memory type	512GB DDR4 3200MHz RDIMM ECC
Chipset	SoC

## STORAGE

SSD	1TB/8TB SATAIII SSD
-----	---------------------

## EXPANSION SLOTS

PCIe Configuration	1 PCIe 4.0 x16 FHFL slot or 1 PCIe 4.0 x16 HHHL slot
--------------------	--

## ETHERNET

Ethernet	Dual 25GbE SFP28 (SoC) Dual 10GBase-T (Intel X550-AT2) Quad 1GBase-T (Intel i350-AM4)
----------	---

## RAID

RAID	Support RAID 0,1,5,10
------	-----------------------

## OS

OS	Windows 10 64bit
----	------------------

## POWER

AC PSU	2 x 110/220V 800W Redundancy PSU
--------	----------------------------------

Dimension	19" Rack mounting 430 x 400 x 44 mm (W x D x H) Under 400mm depth
-----------	--

Front I/O

Front Power Input Port

Weight	≤ 12kg
--------	--------

---

## FRONT I/O

---

IPMI	1x IPMI
USB	2x USB 3.0
LAN1, 2	2x 25GbE SFP28
LAN3, 4	2x 10G Base-T
LAN5, 6, 7, 8	4x 1G Base-T
Display	1x VGA
PCIe Slot	1 PCIe 4.0 x16 FHFL slot or 1 PCIe 4.0 x16 HHHL slot
LED	1x HDD LED (Red) 1x Power on LED (Green)
AC-IN	2x Redundant PSU

---

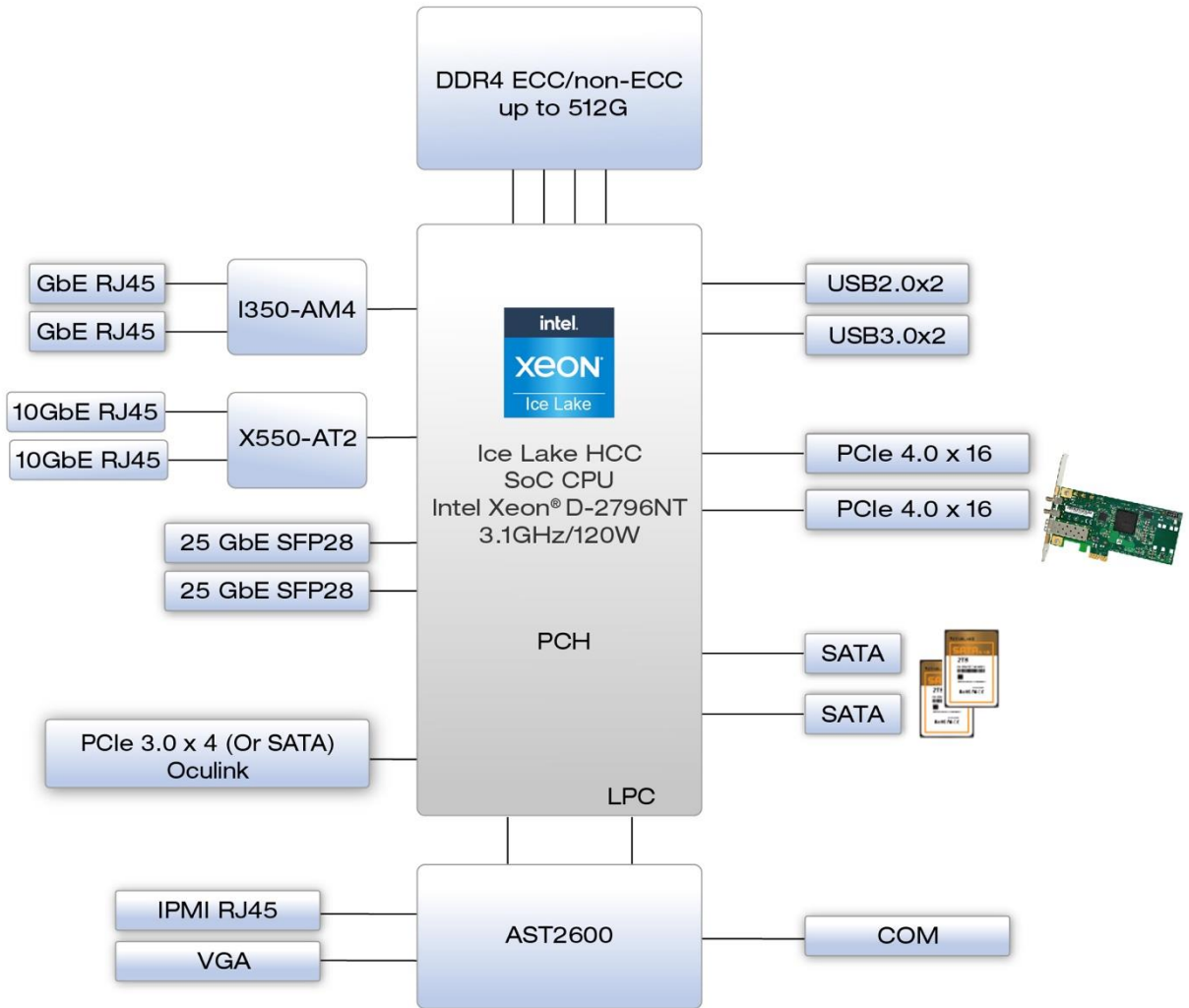
## ENVIRONMENT

---

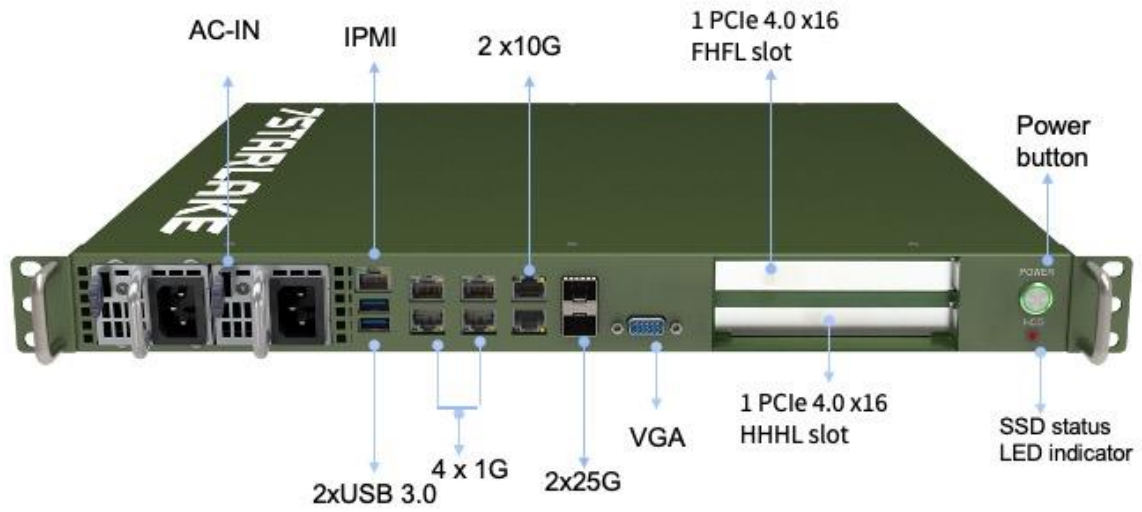
Operating Temp.	-32°C to 55°C
Storage Temp.	-40°C to 71°C
Relative Humidity	5% to 95%, non-condensing
RoHS	RoHS Compliant
Vibration	MIL-STD-810G, Method 514.7
Shock	MIL-STD-810G, Method 516.7

---

# Block Diagram



# Appearance



# Dimension

