



FI-50028

100G Airborne Mission Computer



Main Features

- IP66 3/4ATR Mission Computer
- NVIDIA® 5000 Ada GPU, 9728 CUDA Cores
- Intel® Tiger Lake Xeon W-11865MRE, 8 cores, 24MB cache.
- Intel® Ice Lake Xeon® D-1700 series, Up to 10 cores, 15MB cache
- Up to 128GB DDR4 support
- 100GbE Single-Port QSFP28, Nvidia ConnectX-6
- MIL-STD 810 Vibration, Shock, Humidity , Temperature
- MIL-STD 461 EMI DC-DC 18V~36V
- Options for Dual Redundant MIL-STD-1553 connection



Specifications

System

High Power Processor	Intel® Intel® Xeon® W Processor <ul style="list-style-type: none">• Xeon® W-11865MRE 2.1/4.7GHz, 24MB, 45W, 8C Intel® Xeon® D-1700 processor (Ice Lake-D LCC) <ul style="list-style-type: none">• Xeon® D-1746TER 2.0/3.1GHz, 15MB, 67W, 10C
Memory type	Support up to DDR4-128GB ,ECC for Xeon SKU
GPU	NVIDIA® Quadro® 5000Ada, 115W, 16GB GDDR6, 9728 CUDA Cores NVIDIA® Quadro® MXM A4500, 80/115W, 16GB GDDR6, 5888 CUDA Cores NVIDIA® Quadro® 3500Ada, 115W, 12GB GDDR6, 5120 CUDA Cores NVIDIA® Quadro® MXM A2000, 60W, 8GB GDDR6, 2560 CUDA Cores
BIOS	AMI UEFI BIOS

Display

Display Port	2x Display Port outputs from CPU module
--------------	---

Storage

SSD	1x 2.5" SATA III (up to 6Gb/s)
M.2	1x M.2 M-Key 2280 PCIe x4

Ethernet

Ethernet	Intel® I226-LM GbE LAN (10/100/1000Mbit/2.5G) Ethernet ports
Ethernet	GbE LAN from CPU module

Front I/O

X1	1xUSB3.0 with M20/D38999 connector
X2	1x mDP with M20/D38999 connector
X3	1x mDP with M20/D38999 connector
X4	1x 100G with MPO connector
X5	1x 1GbE LAN with D38999 connector
X6	1x DC-IN with D38999 connector

Power Requirement

Power Input 9V~36V DC-IN

Power Management ACPI 3.0

Application, OS

Applications Energy/Smart Grid/Power Plant Management, Intelligent Automation and manufacturing applications

Operating System Based on CPU module

Mechanical and Environment

Form Factor Proprietary

Dimension 190.5mm x 250mm x 325mm

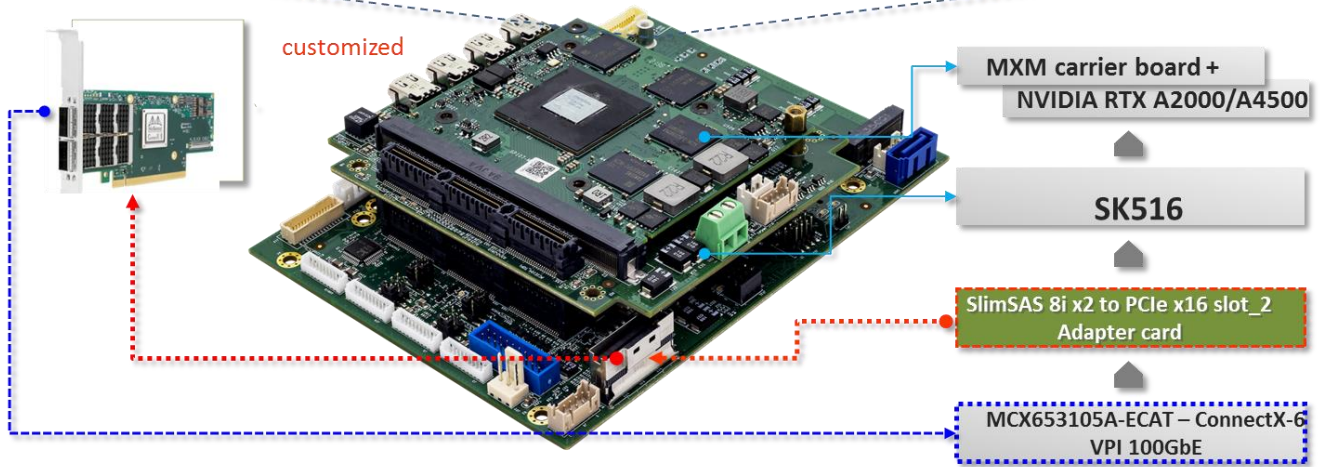
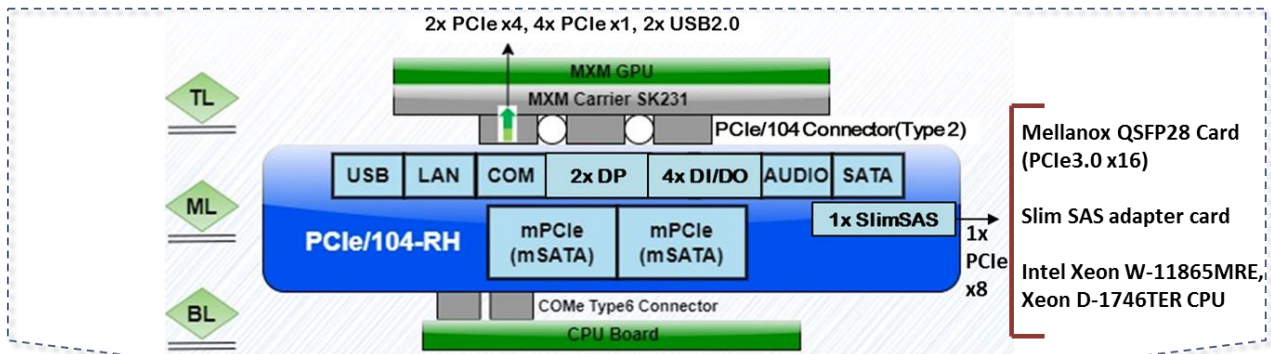
Operating Temp. -40°C ~ 85°C

Storage Temp. -40°C ~ 85°C

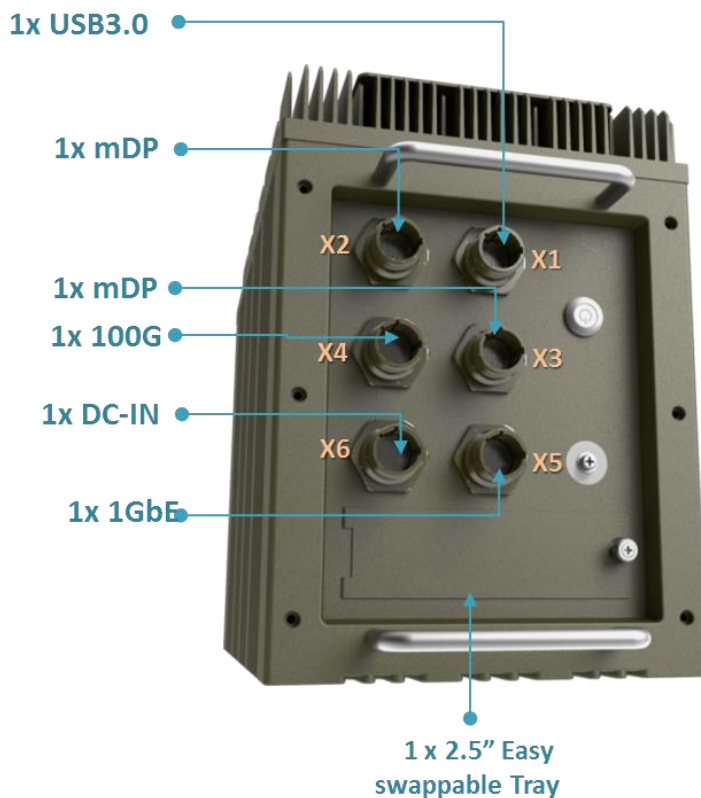
Ordering information

	F1-30-A20	F1-30Q-A45	F1-30Q28-A20	F1-30Q28-A50
	Intel Tiger Lake(H) Xeon-W	Intel Tiger Lake(H) Xeon-W	Intel Ice Lake Xeon-D	Intel Ice Lake Xeon-D
CPU	W-11865MRE	W-11865MRE	D-1746TER	D-1746TER
Core	8C	8C	10C	10C
GPU	MXM A2000	MXM A4500	MXM 3500 Ada	MXM 5000 Ada
	Ampere	Ampere	Lovelace	Lovelace
CUDA	2560	5888	5120	9728
NIC	SFP+ (10G)	QSFP+ (40G)	QSFP28 (100G)	QSFP28 (100G)
RAM	Up to DDR4-64GB	Up to DDR4-64GB	Up to DDR4-128GB	Up to DDR4-128GB
PSU	18V~36V MIL-STD 461 EMI			
I/O				
X1	1xUSB 3.0	1xUSB 3.0	1xUSB3.0	
X2	1xmDPI	1xmDPI	1xmDP	
X3	1xmDP	1xmDP	1xmDP	
X4	1x10G	1x40G	1x100G	
X5	1x1G	1x1G	1x1G	
X6	1xDC	1xDC	1xDC	

System Block Diagram



Appearance



Dimension

