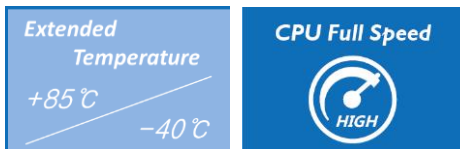


GMSL Camera® 5.4MP GMSL2 Camera

Indie GW5300 5th-gen eWARP® geometric processor



Feature:

- Output format: Uncompressed YUV422 format
- S-mount IP69K compliant lens focused
- Autoware Compatibility
- High Dynamic Range of 120dB
- High Sensitivity, Low Noise & High Resolution
- LED Flicker Mitigation
- FCC , CE and RoHS
- Extreme Temperature Support -40~+85 degree

Instructions

The VC490T camera is a GMSL (Gigabit Multimedia Serial Link) camera specifically designed for automotive applications. It has a resolution of 5.4 MP at 2880 x 1860 pix.

Featuring Sony Semiconductor Solutions' IMX490 back-side illumination stacked CMOS image sensor SoC, this camera enables HDR imaging over 120dB, LED flicker mitigation (LFM), and motion artifact-free image capturing at a frame rate of up to 30fps.

Indie-semiconductor's GW5300 ISP (Image Signal Processor) built into the VC490T camera's image sensor performs various image processing tasks, including lens distortion correction, to achieve optimal image quality for automotive applications. The VC490T camera also supports an external triggering mechanism, which is essential to achieve capture synchronization with other sensor modalities such as LiDAR or RADAR, enabling sensor fusion.

VC490T are built to operate in harsh environmental conditions, the operating temperatures as low as -40°C to as hot as 85°C.

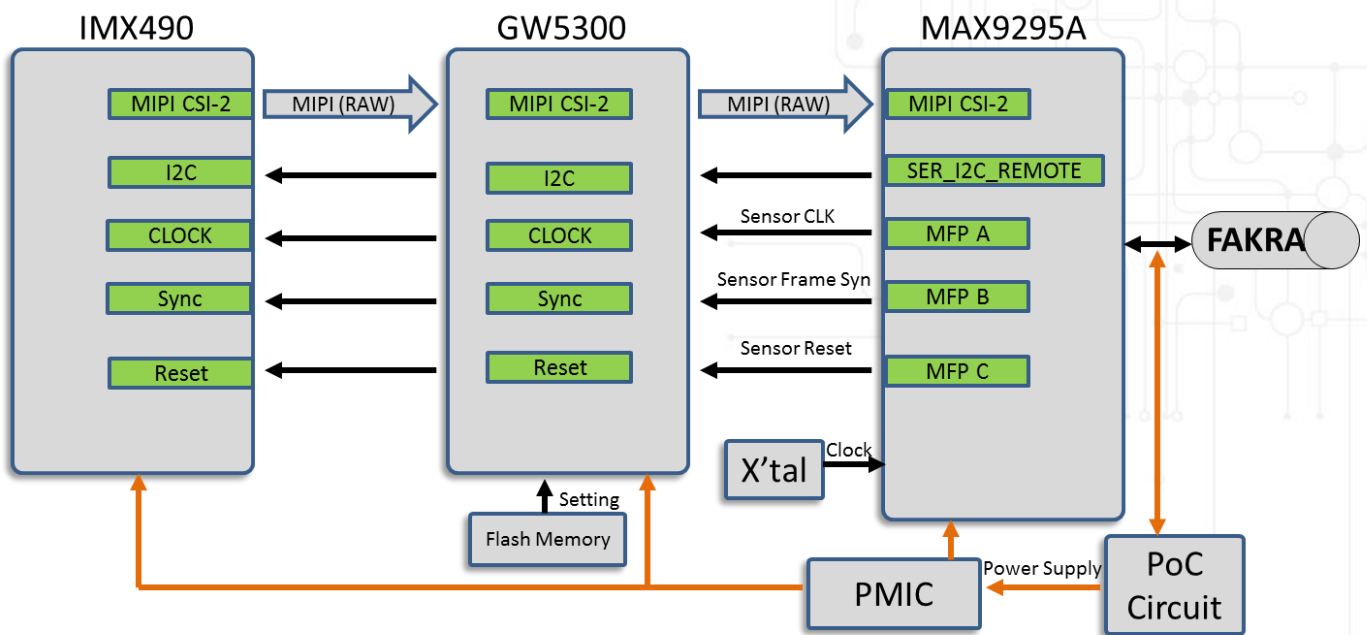
Specifications

ISP – Image Signal Processor	Indie semiconductor GW5300
IMAGE SENSOR	Sony Semiconductor Solutions IMX490
MAX Resolution	2880*1860
Frame Rate	Up to 30fps
Pixel Size	3.0um
Serializer	MAXIM MAX9295A
Output Image Format	YUV422 8bit
Camera Interface	GMSL2, Up To 6Gbps
Power	9V~12V DC
Power consumption	< 4.6W @30fps
Connector	FAKRA Z code
Shutter Type	Rolling Shutter
Ingress Protection	IP69K
Dimension	W: 45mm, L:45mm, H:53.04mm
Operating Temp	-40 to 85°C
Storage Temp	-40 to 85°C
Relative Humidity	15% to 95%, non-condensing

Application

- Autonomous driving
- Traffic light recognition
- Object recognition
- Remote monitoring
- Visual SLAM

Block Diagram



Ordering Information

Model	HFOV	VFOV	F.No.	EFL	Depth of Field	Water Proof	Lens Mount
TBA-H30S1A	32°	21°	1.6	15.3mm		IP69K	AA
TBA-H60S	64°	40°	1.8	7.87mm	-14.01%	IP69K	AA
TBA-H100Y	100°	57°	1.8	6.16mm	-32.04%	IP69K	AA
TBA-H130Y	130°	81°	1.6	4.01mm	-65.21%	IP69K	AA

Appearance



Dimension

