



LAND



SEA



AIR

THOR11-H20

MILITARY VIRTUALISATION
SUPER COMPUTER SERVER



- Intel® Xeon® Granite Rapids-D HCC 6516P-B, 20Cores 2.3 GHz Processor
- 128GB DDR5 RDIMM ECC up to 6400MT/s
- 1TB M.2 NVMe SSD /U.2 8TB NVMe SSD Storage
- 100~264 VAC 860W Redundancy PSU
- 100 GbE QSFP28, Dual 25G SFP28, Quad 1Gbase-T
- Oregano syn1588 PCIe NIC (with OXCO Option)
- Half High Bracket with 3x SMA
- Swappable CMOS Battery
- Operating temp. : -32 ~ +55 °C
- Vibration: MIL-STD-810G Method 514.7
- Shock : MIL-STD-810G Method 516.7



Specifications

SYSTEM

CPU	Intel XEON 6 Granite Rapids D HCC 6516P-B, 20Cores 2.3/3.5GHz Processor TDP 145W
Memory type	128GB DDR5 RDIMM ECC up to 6400MHz
Chipset	SoC

STORAGE

SSD	1TB M.2 NVMe SSD /8TB U.2 NVMe SSD
-----	------------------------------------

EXPANSION SLOTS

PCIe Configuration	Oregano syn1588 PCIe NIC (with OXCO Option) Half High Bracket with 3x SMA
--------------------	--

ETHERNET

Ethernet	Dual 25GbE SFP28 (Max: 100G QSFP28 to 4 x 25GbE SFP28) 100GBase-SR4 (SoC) Quad 1GBase-T (Intel i350)
----------	--

OS

OS	Windows 10 64bit
----	------------------

POWER

AC PSU	2 x 110/220V 800W Redundancy PSU
--------	----------------------------------

OTHERS

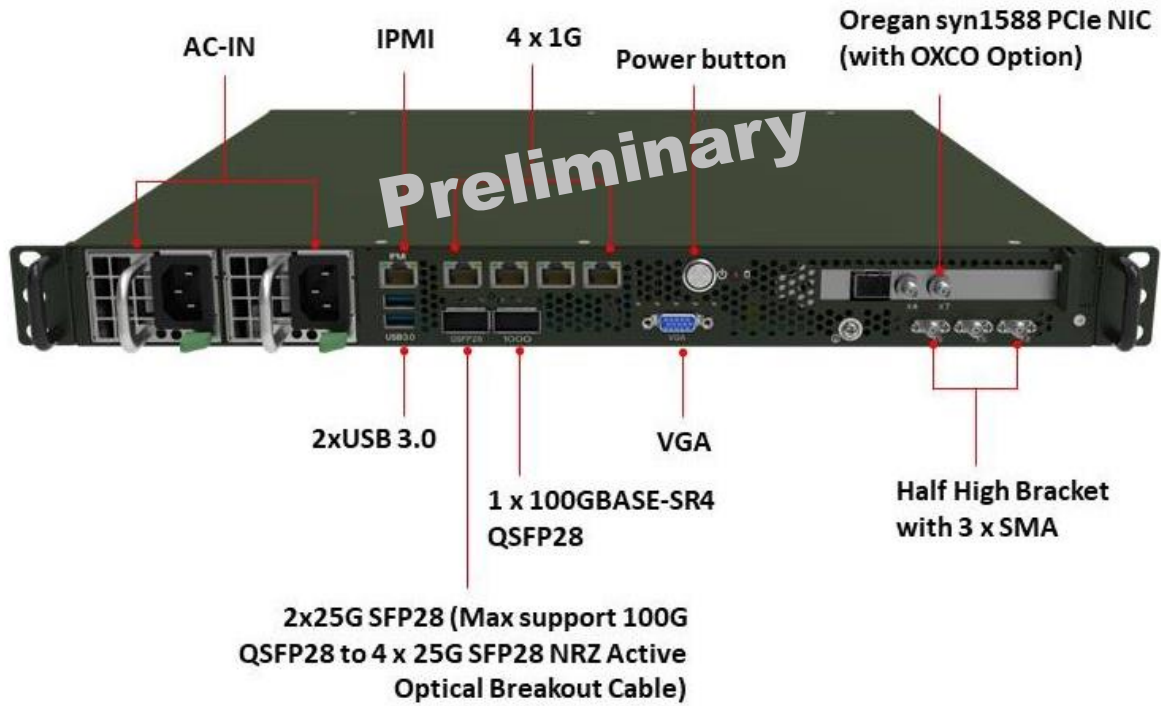
Dimension	19" Rack Mounting 430 x 400 x 44 mm (W x D x H) Under 400mm Depth
Weight	≤12kg

FRONT I/O

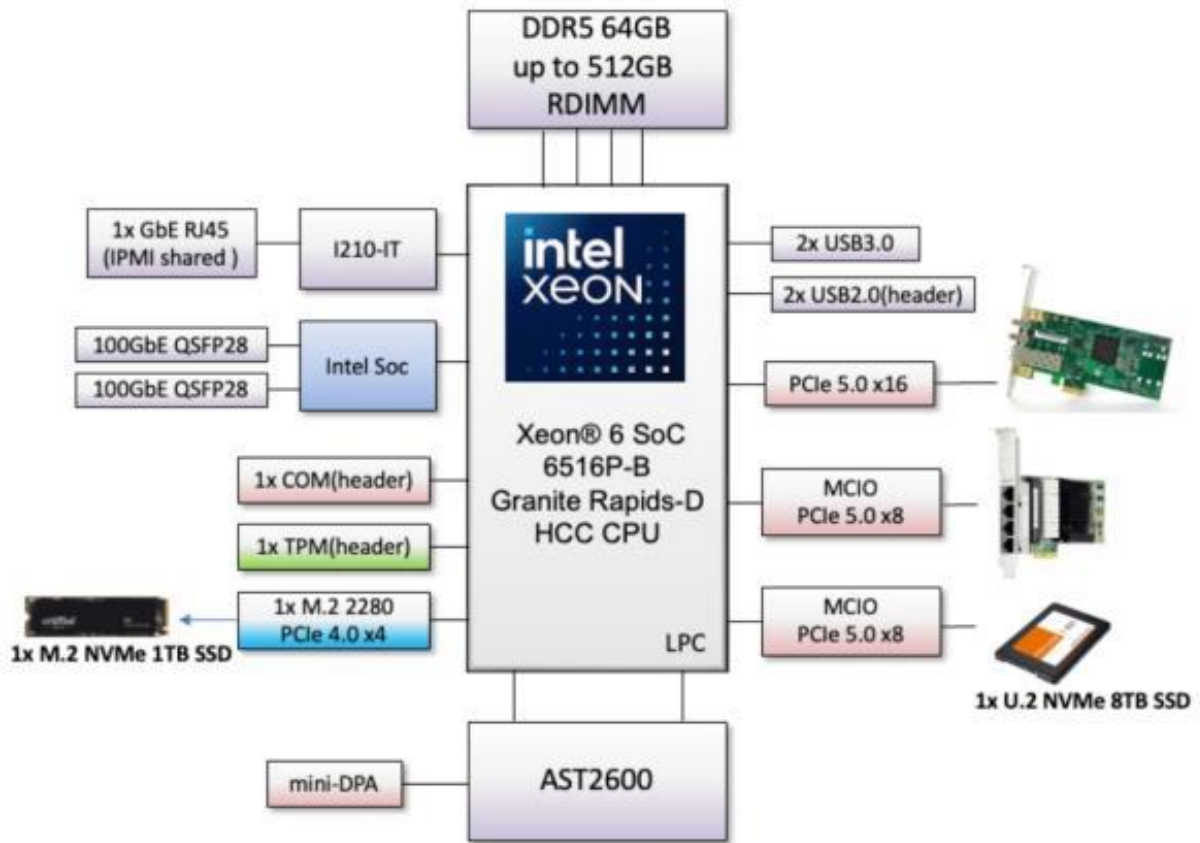
IPMI	1x IPMI
------	---------

USB	2x USB 3.0
LAN 1, 2	2x 25GbE SFP28
LAN 3	1x 100G Base-SR4
LAN 4, 5, 6, 7	4x 1G Base-T
Display	1x VGA
PCIe Slot	Oregano syn1588 PCIe NIC (with OXCO Option)
	Half High Bracket with 3x SMA
LED	1x HDD LED (Red) 1x Power on LED (Green)
AC-IN	2x 860W Redundant PSU
REAR I/O	
Battery	Swappable CMOS Battery
ENVIRONMENT	
Operating Temp.	-32°C to 55°C
Storage Temp.	-40°C to 71°C
Relative Humidity	5% to 95%, Non-Condensing
RoHS	RoHS Compliant
Vibration	MIL-STD-810G, Method 514.7
Shock	MIL-STD-810G, Method 516.7

Appearance



Block Diagram



This datasheet is for marketing purposes only and does not constitute a warranty. All specifications, dimensions, and data are subject to change without notice. For the latest specifications and updates, please contact your 7STARLAKE representative.