



LAND



SEA



AIR

AV800-027-CN6

IP65 MILITARY ICE LAKE D-2796NT,
200GB/S SMART NIC MXM-GPU SERVER



- Intel® Xeon D-2796NT 20 Cores 2.0GHz Max Turbo 3.10GHz
- 256GB RDIMM ECC DDR4-2933/512G LRDIMM DDR4-2933
- NVIDIA RTX A4500 5888 CUDA cores PCIe Gen 4.0 X 16
- 2 x 100GbE Single-Port QSFP56, Nvidia ConnectX-6
- 2 x 1GBase-T, 2 x 10GBase-T LAN
- 2 x 2TB 2.5" Swappable SATA Drive with AES function
- Hardware Secure Erase(AES) button, Swappable CMOS battery
- IP65 Sealed with External Cooling Blade
- MIL-STD-810G Thermal, Shock, Vibration, Humidity
- MIL-STD 18V~36V EMI DC Input
- Extreme Temperature -20~+60 degree



Specifications

SYSTEM

CPU	Intel® Xeon™ D-2796NT, 20 Core, 2.0GHz Max Turbo 3.10GHz
Memory type	256GB RDIMM ECC DDR4-2933/512G LRDIMM DDR4-2933 in 4 DIMM Slot
Chipset	Intel® SoC Integrated
GPU	NVIDIA® RTX A4500 5888 CUDA Cores PCIe Gen4.0 x16
100GbE	NVIDIA® ConnectorX-6 100GbE Single Port QSFP56
LAN	2 x 1GBase-T , 2 x 10GBase-T LAN
Storage	2 x 2TB 2.5" SSD with AES function
Power Type	18V~36V EMI DC Input
Operating Temperature	-20°C to +60°C
Dimensions	405mm x 316mm x 195mm (W x L x H)

FRONT I/O

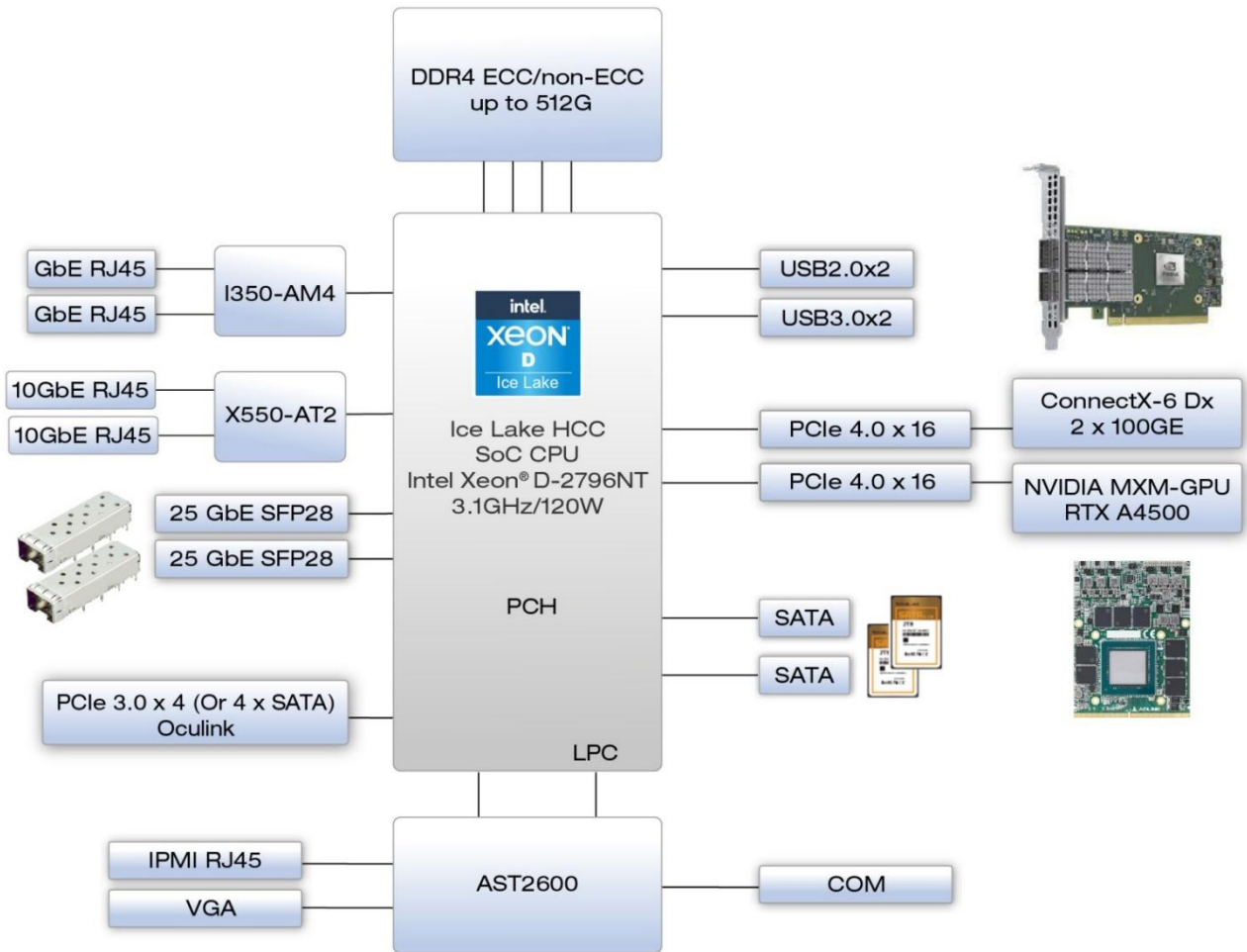
X1	DC In connector
X2	1 x USB3.0 Amphenol USB3FTV7AZNF312 connector
X3	1 x 1GBase-T TV07RW-13-98S connector
X4	1 x 1GBase-T TV07RW-13-98S connector
X5	1 x 10GBase-T M20 RJ45 CAT6A connector
X6	1 x 10GBase-T M20 RJ45 CAT6A connector
X7	2 x 100G Fiber Ethernet Amphenol FSI MPOFTV70ZNN
VGA	D-sub 15 connector with waterproof cap

ENVIRONMENTAL

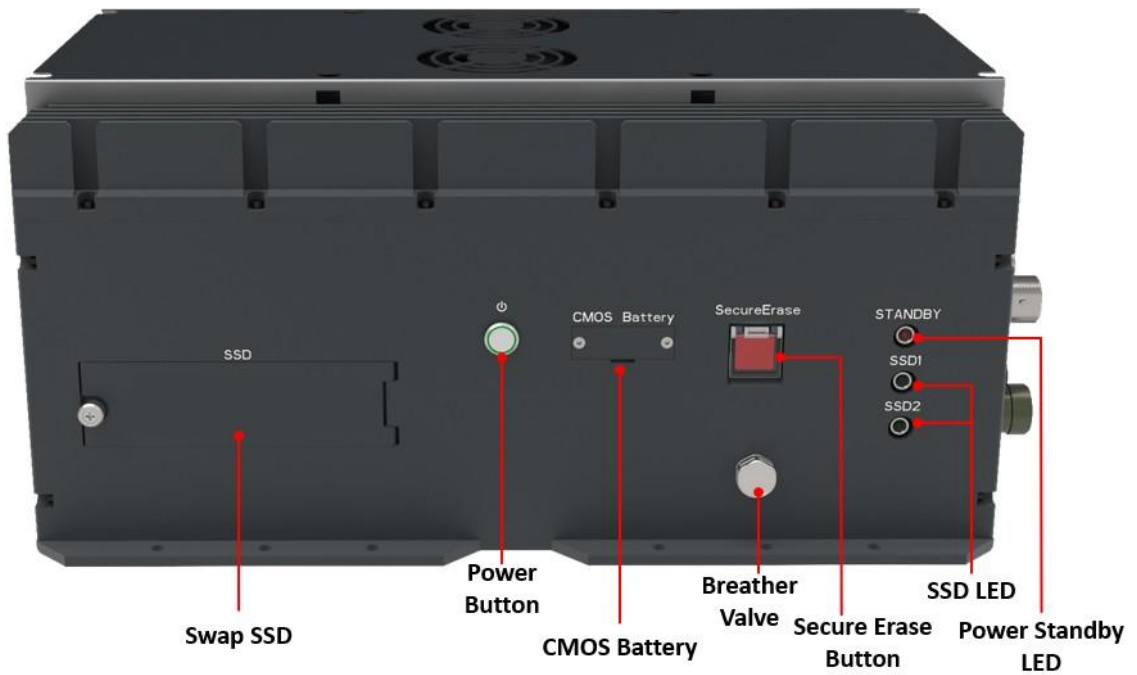
MIL-STD-810 Test	<p>Method 500.5, Procedures I and II (Altitude, Operation): 12,192M, (40,000 ft) for the initial cabin altitude (18.8Kpa or 2.73 Psia)</p> <p>Method 500.5, Procedures III and IV (Altitude, Non-Operation): 15,240, (50,000 ft) for the initial cabin altitude (14.9Kpa or 2.16 Psia)</p> <p>Method 501.5, Procedure I (Storage/High Temperature)</p> <p>Method 501.5, Procedure II (Operation/High Temperature)</p> <p>Method 502.5, Procedure I (Storage/Low Temperature)</p> <p>Method 502.5, Procedure II (Operation/Low Temperature)</p> <p>Method 503.5, Procedure I (Temperature shock)</p> <p>Method 507.5, Procedure II (Temperature & Humidity)</p> <p>Method 509.7 Salt Spray (50±5)g/L</p>
------------------	---

	<p>Method 514.6, Vibration Category 24/Non-Operating (Category 20 & 24,Vibration)</p> <p>Method 514.6, Vibration Category 20/Operating (Category 20 & 24,Vibration)</p> <p>Method 516.6, Shock-Procedure V Non-Operating (Mechanical Shock)</p> <p>Method 516.6, Shock-Procedure I Operating (Mechanical Shock)</p>
Reliability	<p>Conduction Cooling.</p> <p>Designed & Manufactured using ISO 9001 Certified Quality Program</p>
MIL-STD-461	<p>CE102 basic curve, 10kHz - 30 MHz</p> <p>RE102-4, (1.5 MHz) -30 MHz - 5 GHz</p> <p>RS103, 200 MHz - 3.2 GHz, 50 V/m equal for all frequencies</p> <p>EN 61000-4-2: Air discharge: 8 kV, Contact discharge: 6kV</p> <p>EN 61000-4-3: 10V/m</p> <p>EN 61000-4-4: Signal and DC-Net: 1 kV</p> <p>EN 61000-4-5: Leads vs. ground potential 1kV, Signal und DC-Net: 0.5 kV</p> <p>CE and FCC</p>
MIL-STD-1275	<p>Steady State – 20V~33V,</p> <p>Surge Low – 18V/500ms,</p> <p>Surge High – 100V/500ms</p> <p>Emitted spikes</p> <p>Injected Voltage surges</p> <p>Emitted voltage surges</p> <p>Voltage ripple (2V)</p> <p>Voltage spikes</p> <p>Starting Operation</p> <p>Reverse polarity</p>
Operating Temp.	-20°C to +60°C
Storage Temp.	-40°C to +85°C
Relative Humidity	5% to 95%, non-condensing

System Block Diagram



Appearance



Dimensions



This datasheet is for marketing purposes only and does not constitute a warranty. All specifications, dimensions, and data are subject to change without notice. For the latest specifications and updates, please contact your 7STARLAKE representatives.